

DELABIE



STAINLESS STEEL
SANITARY WARE

DELABIE

delabie.com available features

CONTACTS

HEAD OFFICE & PRODUCTION SITE

18, rue du Maréchal Foch
80130 Friville
FRANCE

delabie.com

EXPORT

Tel. +33 (0)3 22 60 22 72
export@delabie.fr

QUOTES

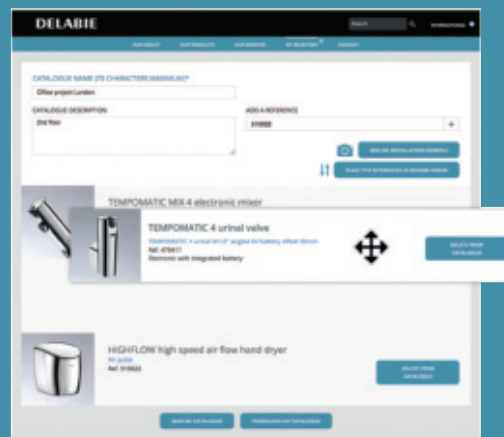
Tel. +33 (0)3 22 60 22 72
export.quotes@delabie.fr

TECHNICAL SUPPORT

Tel. +33 (0)3 22 60 22 74
Fax +33 (0)3 22 30 31 07
sav@delabie.fr



SUITABLE FOR TABLETS AND SMARTPHONES



CREATE A PERSONALISED CATALOGUE

Create your own catalogue using your own product selection.

You can personalise it by giving it a project name and description, by choosing the order for the products to appear and by adding lifestyle images.

This catalogue will then be available in Word, PDF and Excel formats.



BIM: DELABIE'S CORE PRODUCTS ARE NOW AVAILABLE

To meet the requirements of BIM technology, DELABIE has modelled its core products.

Available in 3 formats - REVIT, IFC and ARCHICAD, the files can be downloaded via the relevant product data sheet or via datashare.

The list of references available in BIM format is available in Our Services - BIM Files.



TRENDS THE MAGAZINE: THE DESIGN TRENDS TAB

Browse the "Trends by DELABIE" magazine intended for those who are passionate about Design and the art of the "Beautiful".

Discover the 4 universes of "Trends" with major international projects, specification trends as well as interviews with prominent designers and architects who talk about their projects and their passions.



Certification
ISO 9001: 2015
quality management
systems

ACS

Certificate of Sanitary Conformity.

All DELABIE products conform to the CPDW* directive modified 29/05/1997, and the French Ministry of Health circular DGS/SD7A2002 no. 571 dated 25/11/2002.

* Construction Products in Contact with Drinking Water (European Commission).

DELABIE

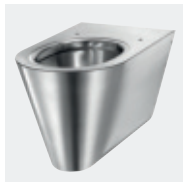


WASHBASINS.....	5
WC PANS - WC PANS WITH CISTERNS.....	11
URINALS.....	13

BLACK MAGIC
RANGE
3



INDIVIDUAL WASHBASINS.....	17
MULTIPLE WASHBASINS.....	33



WC PANS - WC PANS WITH CISTERNS.....	41
TOILET SEATS.....	47

DESIGN
RANGE
15



INDIVIDUAL URINALS.....	51
URINAL DIVIDERS.....	54
TROUGH URINALS.....	56



SHOWER TRAYS.....	62
-------------------	----



WASHBASINS.....	66
WASHBASINS WITH INTEGRATED TAPS.....	68
WC PANS - SQUAT WC PANS.....	70
WASHBASIN AND WC COMBINATIONS.....	73
URINALS.....	76

SECURE SECTOR
RANGE
65



SURGICAL SCRUB UP TROUGHS.....	81
DISPOSAL SINKS.....	84
DRINKING FOUNTAINS.....	87
PROFESSIONAL HAND WASHBASINS.....	88
ACCESSIBILITY SOLUTIONS.....	90

HOSPITAL AND
PROFESSIONAL
RANGE
79



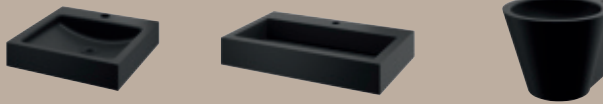
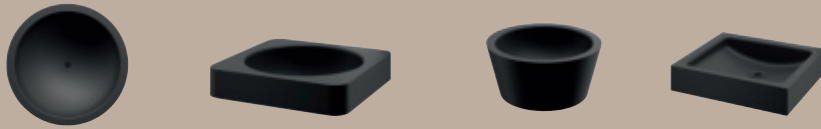
PUBLIC AND COMMERCIAL SOLUTIONS - INSPIRATION.....	96
CERTIFICATION.....	104
MAINTENANCE AND INSTALLATION ADVICE.....	104
REFERENCE INDEX.....	106

ADVICE
INDEX
95

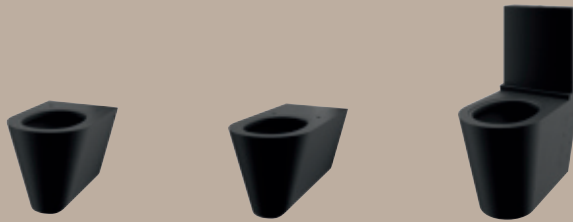


Black Magic

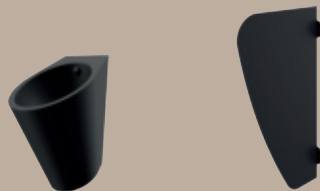
WASHBASINS
5



WC PANS
11



URINALS
13





Matte black HEMI round inset washbasin **120490BK** - BLACK BINOPTIC electronic tap **378035** - Matte black electronic soap dispenser **512066BK**



- **Teflon® or PTFE finish:** withstands intensive use, withstands chemical products and is easy to clean
- **Design:** black is forever in fashion, a sure bet that is timeless, brings style to washrooms
- **Go all black:** perfectly matches with BLACK BINOPTIC taps and matte black finish hygienic accessories

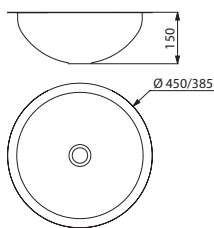
HEMI Ø 385 washbasin

For recessed installation from above or below



- Round basin for recessed installation from above or below.
- Basin internal diameter: 385mm.
- Cut-out basin diameter:
400mm for installation from above,
380mm for installation from below.
- Bacteriostatic 304 stainless steel.
- Stainless steel thickness: 0.8mm.
- Matte black Teflon® finish.
- One-piece, seam-free pressed bowl.
- Rounded edges prevent injury.
- Supplied without waste. Waste with black finish can be added (6110BK) or chrome finish (6110).
- Without overflow.
- CE marked. Complies with European standard EN 14688.
- Weight: 1.6kg.
- 10-year warranty.

For taps see the DELABIE catalogue "Water Controls for Public and Commercial Places" (DOC 609INT).

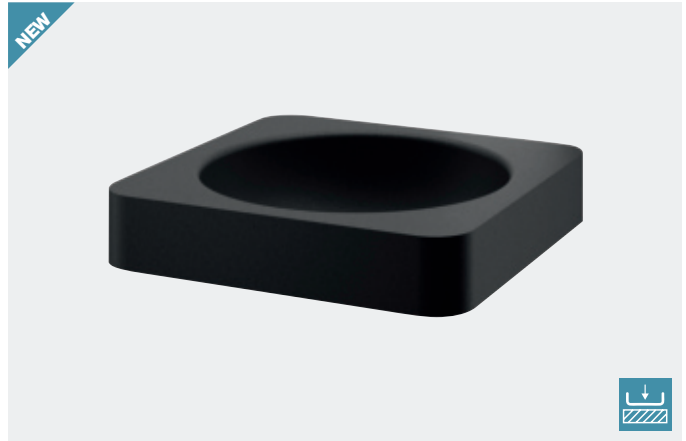


120490BK

HEMI inset washbasin Ø 385mm from above or below		
Matte black Teflon® finish		120490BK
HYGIÉNA waste		
Black finish		6110BK
Chrome finish		6110

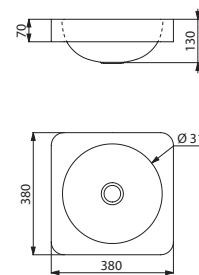
QUADRA washbasin

Countertop



- Countertop, semi-recessed washbasin, 380 × 380mm.
- Suitable for use with wall-mounted or extended mixer/tap.
- Basin internal diameter: 310mm.
- Cut-out basin diameter: 310mm.
- Bacteriostatic 304 stainless steel.
- Stainless steel thickness: 1.2mm.
- Matte black Teflon® finish.
- One-piece, seam-free pressed bowl.
- Rounded edges prevent injury.
- Supplied without waste. Waste with black finish can be added (6110BK) or chrome finish (6110).
- Without overflow.
- CE marked. Complies with European standard EN 14688.
- Weight: 3kg.
- 10-year warranty.

For taps see the DELABIE catalogue "Water Controls for Public and Commercial Places" (DOC 609INT).



120650BK

Countertop QUADRA washbasin		
Matte black Teflon® finish		120650BK
HYGIÉNA waste		
Black finish		6110BK
Chrome finish		6110

: dispatch within 6 weeks : stock item



Matte black ALGUI countertop washbasin **120110BK** - BLACK BINOPTIC 2 electronic tap **375030** - Matte black SPEEDJET 2 air pulse hand dryer **510624B**



- **Teflon® or PTFE finish:** withstands intensive use, withstands chemical products and is easy to clean
- **Design:** black is forever in fashion, a sure bet that is timeless, brings style to washrooms
- **Go all black:** perfectly matches with BLACK BINOPTIC taps and matte black finish hygienic accessories

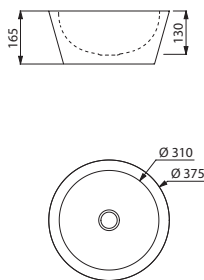
ALGUI washbasin

Countertop



- Countertop washbasin, Ø 375mm.
- Suitable for use with wall-mounted or extended mixer/tap.
- Basin internal diameter: 310mm.
- Bacteriostatic 304 stainless steel.
- Stainless steel thickness: 1.2mm.
- Matte black Teflon® finish.
- One-piece, seam-free pressed bowl.
- Rounded edges prevent injury.
- Supplied without waste. Waste with black finish can be added (6110BK) or chrome finish (6110).
- Without overflow.
- CE marked. Complies with European standard EN 14688.
- Weight: 3.8kg.
- 10-year warranty.

For taps see the DELABIE catalogue "Water Controls for Public and Commercial Places" (DOC 609INT).



120110BK

ALGUI countertop washbasin	
Matte black Teflon® finish	120110BK
HYGIÉNA waste	
Black finish	6110BK
Chrome finish	6110

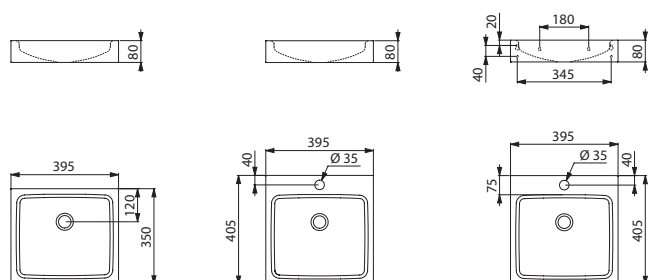
UNITO washbasin

Countertop or wall-mounted



- Countertop or wall-mounted washbasin, 395 × 350 or 405mm depending on the model.
- Suitable for use with wall-mounted or extended mixer/tap.
- Bacteriostatic 304 stainless steel.
- Stainless steel thickness: 1.2mm.
- Matte black Teflon® finish.
- Rounded edges prevent injury.
- Supplied without waste. Waste with black finish can be added (6110BK) or chrome finish (6110).
- Without overflow.
- CE marked. Complies with European standard EN 14688.
- Weight: 3.3kg for 120810BK model; 3.6kg for models 121810BK and 121830BK.
- 10-year warranty.

For taps see the DELABIE catalogue "Water Controls for Public and Commercial Places" (DOC 609INT).



120810BK

121810BK

121830BK

UNITO countertop washbasin - Matte black Teflon® finish	
Without tap hole	120810BK
With central tap hole Ø 35mm	121810BK
UNITO wall-mounted washbasin - Matte black Teflon® finish	
With central tap hole Ø 35mm	121830BK
HYGIÉNA waste	
Black finish	6110BK
Chrome finish	6110

: dispatch within 6 weeks : stock item



Matte black MINI BAILA washbasin 121180BK - BINOPTIC chrome-plated electronic tap 378015 - HYGIÉNA chrome-plated waste 6110



- **Teflon® or PTFE finish:** withstands intensive use, withstands chemical products and is easy to clean
- **Design:** black is forever in fashion, a sure bet that is timeless, brings style to washrooms
- **Go all black:** perfectly matches with BLACK BINOPTIC taps and matte black finish hygienic accessories

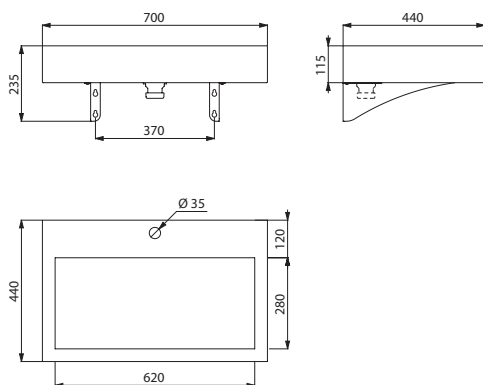
AQUEDUTO washbasin

Wall-mounted with concealed waste outlet



- Wall-mounted washbasin, 700 × 440mm.
- Simple and timeless design.
- Bacteriostatic 304 stainless steel.
- Stainless steel thickness: 1.2mm.
- Matte black Teflon® finish.
- Rounded edges prevent injury.
- Supplied with waste 1¼".
- Without overflow.
- Supplied with fixing elements and supports.
- CE marked. Complies with European standard EN 14688.
- Weight: 12kg.
- 10-year warranty.

For taps see the DELABIE catalogue "Water Controls for Public and Commercial Places" (DOC 609INT).



121150BK

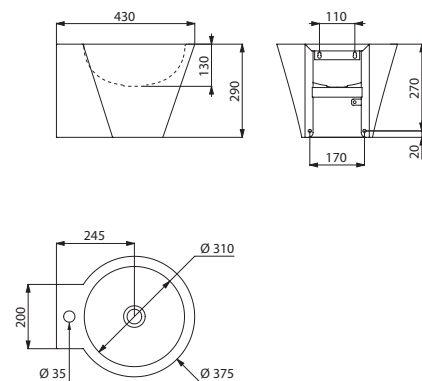
MINI BAILA washbasin

Wall-mounted



- Wall-mounted washbasin.
- Basin internal diameter: 310mm.
- Design-led styling.
- Bacteriostatic 304 stainless steel.
- Stainless steel thickness: 1mm.
- Matte black Teflon® finish.
- Rounded edges prevent injury.
- Supplied without waste. Waste with black finish can be added (6110BK) or chrome finish (6110).
- Without overflow. Supplied with fixing elements.
- CE marked. Complies with European standard EN 14688.
- Weight: 4.1kg.
- 10-year warranty.

For taps see the DELABIE catalogue "Water Controls for Public and Commercial Places" (DOC 609INT).



121180BK

MINI BAILA wall-mounted washbasin - Matte black Teflon® finish	
With central tap hole Ø 35mm	121180BK
HYGIÉNA waste	
Black finish	6110BK
Chrome finish	6110

AQUEDUTO wall-mounted washbasin Matte black Teflon® finish - With central tap hole Ø 35mm	121150BK
---	-----------------

: dispatch within 6 weeks : stock item



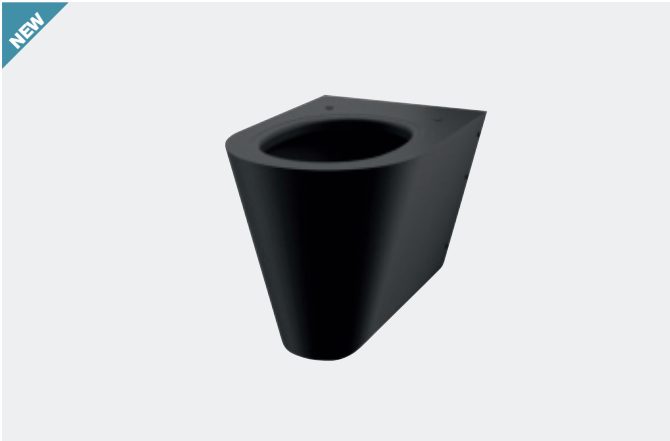
Wall-hung matte black S21 S WC pan **110310BK** - Slimline toilet seat **102819** - TEMPOFLUX 3 time flow flush system **763BOX + 763030**
Matte black toilet brush set **4051BK** - Matte black coat hook **4043BK** - Matte black toilet roll holder **510083BK**



- **Teflon® or PTFE finish:** withstands intensive use, withstands chemical products and is easy to clean
- **Design:** black is forever in fashion, a sure bet that is timeless, brings style to washrooms
- **Go all black:** perfectly matches with black tempered glass WC control plates and matte black finish hygienic accessories

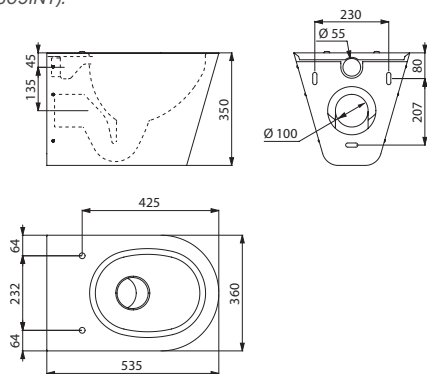
S21 S, 700 S and S21 P WC pans

Wall-hung or floor-standing



- Wall-hung or floor-standing WC.
- Elegant and simple design.
- Bacteriostatic 304 stainless steel. Stainless steel thickness: 1.5mm.
- Matte black Teflon® finish.
- One-piece pressed WC bowl, seam-free for easy maintenance and better hygiene.
- Concealed perimetral flushing rim.
- Horizontal water inlet \varnothing 55mm.
- Horizontal or vertical waste outlet depending on the model, \varnothing 100mm.
- Water saving: works with 4L or more of water.
- Pre-drilled holes for fixing the toilet seat. Supplied with stainless steel blanking caps when installed without toilet seat.
- Quick and easy to install from the front thanks to a stainless steel mounting frame or 2 access panels with TORX security screws depending on the model.
- CE marked. Complies with European standard EN 997 for 4L flush.
- Option: seats with or without lid (see page 47).
- Weight: 11kg for model S21 S; 14.5kg for model 700 S; 14kg for model S21 P.
- 10-year warranty.

For taps see the DELABIE catalogue "Water Controls for Public and Commercial Places" (DOC 609INT).



110310BK

WC pan - Matte black Teflon® finish

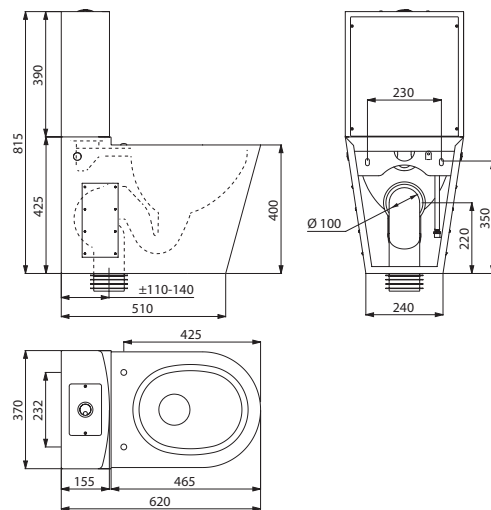
Wall-hung WC pan (S21 S)		110310BK
Wall-hung WC pan for people with reduced mobility (700 S)		110710BK
Floor-standing WC pan (S21 P)		110300BK

MONOBLOCO S21 WC pan

With cistern



- Floor-standing WC with dual flush cistern 3L/6L.
- Bacteriostatic 304 stainless steel. Stainless steel thickness: 1.5mm.
- Matte black Teflon® finish.
- One-piece pressed WC bowl, seam-free for better hygiene.
- Concealed perimetral flushing rim. Water supply can be recessed from below or exposed from the side (right/left).
- Recessed horizontal or vertical waste outlet. Supplied with PVC pipe.
- Pre-drilled holes for fixing the toilet seat. Supplied with stainless steel blanking caps when installed without toilet seat.
- Quick to install: 2 access panels with TORX security screws.
- CE marked. Complies with European standard EN 997 for 4L flush.
- Option: seats with or without lid (see page 47).
- Weight: 21kg.
- 10-year warranty.



110390BK

MONOBLOCO S21 WC pan with cistern Matte black Teflon® finish		110390BK
--	--	-----------------

: dispatch within 6 weeks : stock item





- **Teflon® or PTFE finish:** withstands intensive use, withstands chemical products and is easy to clean
- **Design:** black is forever in fashion, a sure bet that is timeless, brings style to washrooms
- **Go all black:** perfectly matches with black tempered glass urinal controls

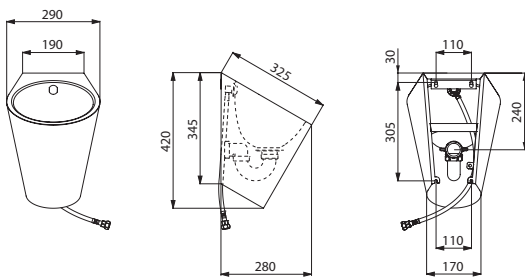
FINO urinal

Rimless



- Wall-hung individual rimless urinal.
- Compatible with all standard frame systems on the market.
- Bacteriostatic 304 stainless steel. Stainless steel thickness: 1.2mm.
- Matte black Teflon® finish.
- Rear water inlet (recessed).
- Recessed or exposed horizontal waste outlet.
- Concealed trap.
- Quick and easy to install from the front thanks to a stainless steel mounting frame.
- Supplied with a 1½" P trap. Supplied with fixing elements.
- CE marked. Complies with European standard EN 13407 for a 2-litre flush.
- Weight: 3.5kg.
- 10-year warranty.

For valves, see recommendations for individual urinals on page 59.



135710BK

FINO wall-hung urinal - Rear water inlet (recessed)
Matte black Teflon® finish



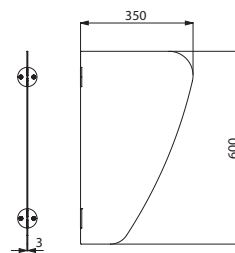
135710BK

AZA divider

Wall-mounted



- Wall-mounted urinal divider.
- Bacteriostatic 304 stainless steel.
- Stainless steel thickness: 3mm.
- Matte black Teflon® finish.
- Rounded edges.
- Supplied with fixing elements and TORX anti-theft screws.
- Weight: 4kg.
- 10-year warranty.



100620BK

AZA wall-mounted urinal divider
Matte black Teflon® finish - Height 600mm



100620BK

: dispatch within 6 weeks : stock item



Washbasins

INSET
COUNTERTOP
17



FLOOR-STANDING
21



WALL-MOUNTED
23



MULTIPLE
WASHBASINS
TROUGHS
33





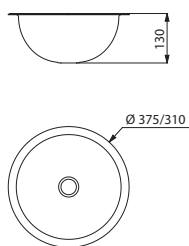
HEMI Ø 310mm and Ø 385mm washbasins

For recessed installation from above or below

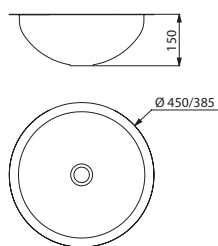


- Round basin for recessed installation from above or below.
- Basin internal diameter: 310mm or 385mm.
- Cut-out basin diameter for Ø 310mm model: 330mm for installation from above, 310mm for installation from below.
- Cut-out basin diameter for Ø 385mm model: 400mm for installation from above, 380mm for installation from below.
- Bacteriostatic 304 stainless steel.
- Stainless steel thickness: 0.8mm.
- One-piece, seam-free pressed bowl.
- Rounded edges prevent injury.
- Supplied with 1¼" waste.
- Without overflow.
- CE marked. Complies with European standard EN 14688.
- Weight: 1.5kg for 120470/120471 models; 1.6kg for 120490/120491 models.
- 10-year warranty.

For taps see the DELABIE catalogue "Water Controls for Public and Commercial Places" (DOC 609INT).



120470/120471



120490/120491

HEMI washbasin Ø 310mm for recessed installation from above or below		
Polished satin 304 stainless steel		120470
Bright polished 304 stainless steel		120471
HEMI washbasin Ø 385mm for recessed installation from above or below		
Polished satin 304 stainless steel		120490
Bright polished 304 stainless steel		120491

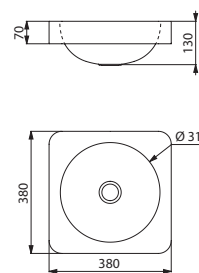
QUADRA washbasin

Countertop



- Countertop, semi-recessed washbasin, 380 × 380mm.
- Suitable for use with wall-mounted or extended mixer/tap.
- Basin internal diameter: 310mm.
- Cut-out diameter: 310mm.
- Bacteriostatic 304 stainless steel.
- Stainless steel thickness: 1.2mm.
- Dual finish is available: bright polished basin interior and polished satin exterior.
- One-piece, seam-free pressed bowl.
- Rounded edges prevent injury.
- Supplied with 1¼" waste.
- Without overflow.
- CE marked. Complies with European standard EN 14688.
- Weight: 3kg.
- 10-year warranty.

For taps see the DELABIE catalogue "Water Controls for Public and Commercial Places" (DOC 609INT).



120650/120652

Countertop QUADRA washbasin		
Polished satin 304 stainless steel		120650
Dual finish 304 stainless steel		120652

: dispatch within 4 weeks : stock item



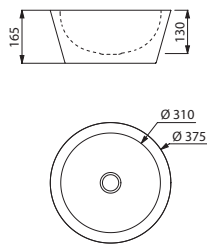
ALGUI washbasin

Countertop



- Countertop washbasin, Ø 375mm.
- Suitable for use with wall-mounted or extended mixer/tap.
- Basin internal diameter: 310mm.
- Bacteriostatic 304 stainless steel.
- Stainless steel thickness: 1.2mm.
- Dual finish is available: bright polished basin interior and polished satin exterior.
- One-piece, seam-free pressed bowl.
- Rounded edges prevent injury.
- Supplied with 1¼" waste.
- Without overflow.
- CE marked. Complies with European standard EN 14688.
- Weight: 3.8kg.
- 10-year warranty.

For taps see the DELABIE catalogue "Water Controls for Public and Commercial Places" (DOC 609INT).



120110/120112

ALGUI countertop washbasin

Polished satin 304 stainless steel		120110
Dual finish 304 stainless steel		120112

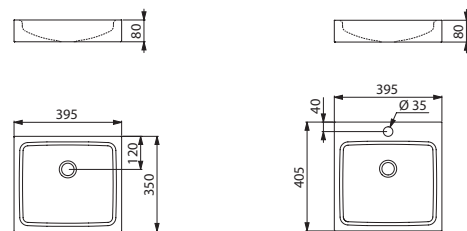
UNITO washbasin

Countertop



- Countertop washbasin, 395 × 350 or 405mm depending on the model.
- Suitable for use with wall-mounted or extended mixer/tap.
- Bacteriostatic 304 stainless steel.
- Stainless steel thickness: 1.2mm.
- Rounded edges prevent injury.
- Supplied with 1¼" waste.
- Without overflow.
- CE marked. Complies with European standard EN 14688.
- Weight: 3.3kg for 120810 model; 3.6kg for 121810 model.
- 10-year warranty.

For taps see the DELABIE catalogue "Water Controls for Public and Commercial Places" (DOC 609INT).



120810

121810

UNITO countertop washbasin - Polished satin 304 stainless steel

Without tap hole		120810
With central tap hole Ø 35mm		121810

: dispatch within 4 weeks : stock item



BAILA floor-standing washbasin **120172** - BINOPTIC electronic tap **379DER**
Electronic liquid soap or foam dispenser **512111P** - Combi paper towel dispenser/bin **510715S**

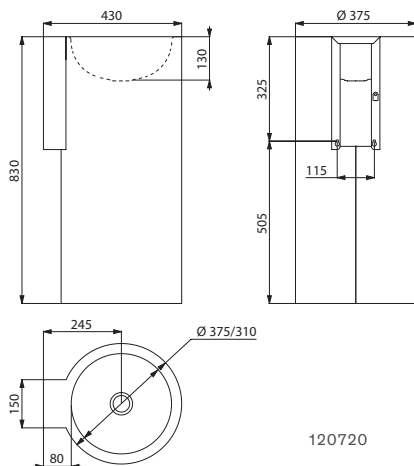
REDO-T washbasin

Floor-standing



- Floor-standing washbasin, height 830mm. Basin internal diameter: 310mm.
- Design-led styling.
- Bacteriostatic 304 stainless steel. Stainless steel thickness: 0.8mm.
- Rounded edges prevent injury.
- Supplied with 1 1/4" waste. Without overflow. Supplied with fixing elements.
- CE marked. Complies with European standard EN 14688.
- Weight: 14kg.
- 10-year warranty.

For taps see the DELABIE catalogue "Water Controls for Public and Commercial Places" (DOC 609INT).



REDO-T floor-standing washbasin - Polished satin 304 stainless steel		
Without tap hole	⌚	120720
With central tap hole Ø 35mm	⌚	121720

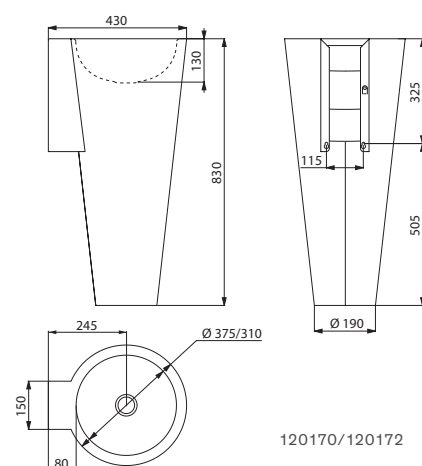
BAILA washbasin

Floor-standing



- Floor-standing washbasin, height 830mm. Basin internal diameter: 310mm.
- Design-led styling.
- Bacteriostatic 304 stainless steel. Stainless steel thickness: 0.8mm.
- Dual finish is available: bright polished basin interior and polished satin exterior.
- Rounded edges prevent injury.
- Supplied with 1 1/4" waste. Without overflow. Supplied with fixing elements.
- CE marked. Complies with European standard EN 14688.
- Weight: 12kg.
- 10-year warranty.

For taps see the DELABIE catalogue "Water Controls for Public and Commercial Places" (DOC 609INT).



Floor-standing BAILA washbasin without tap hole		
Polished satin 304 stainless steel	⌚	120170
Dual finish 304 stainless steel	⌚	120172
Floor-standing BAILA washbasin with central tap hole Ø 35mm		
Polished satin 304 stainless steel	⌚	121170

⌚ : dispatch within 4 weeks 📦 : stock item



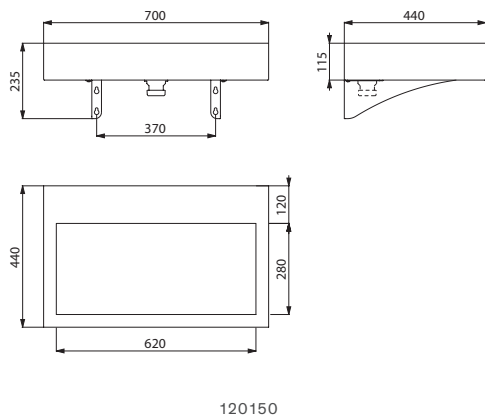
AQUEDUTO washbasin

Wall-mounted with concealed waste outlet



- Wall-mounted washbasin, 700 × 440mm.
- Simple and timeless design.
- Bacteriostatic 304 stainless steel.
- Stainless steel thickness: 1.2mm.
- Rounded edges prevent injury.
- Supplied with 1¼" waste.
- Without overflow.
- Supplied with brackets and fixing elements.
- CE marked. Complies with European standard EN 14688.
- Weight: 12kg.
- 10-year warranty.

For taps see the DELABIE catalogue "Water Controls for Public and Commercial Places" (DOC 609INT).



120150

Wall-mounted AQUEDUTO washbasin - Polished satin 304 stainless steel

Without tap hole		120150
With central tap hole Ø 35mm		121150

Available on request: other lengths (600mm - 1,800mm)

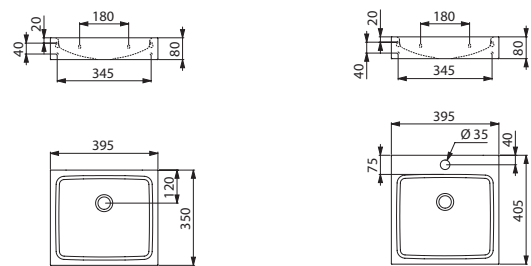
UNITO washbasin

Wall-mounted



- Wall-mounted washbasin, 395 × 350 or 405mm depending on model.
- Simple and timeless design.
- Bacteriostatic 304 stainless steel.
- Stainless steel thickness: 1.2mm.
- Rounded edges prevent injury.
- Supplied with 1¼" waste.
- Without overflow.
- Supplied with fixing elements.
- CE marked. Complies with European standard EN 14688.
- Weight: 3.3kg for 120830 model; 3.6kg for 121830 model.
- 10-year warranty.

For taps see the DELABIE catalogue "Water Controls for Public and Commercial Places" (DOC 609INT).



120830

121830

Wall-mounted UNITO washbasin - Polished satin 304 stainless steel

Without tap hole		120830
With central tap hole Ø 35mm		121830

: dispatch within 4 weeks : stock item

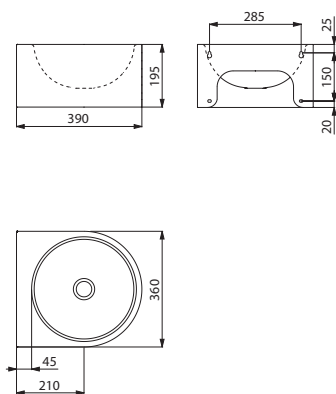
FACIL hand washbasin

Wall-mounted



- Wall-mounted hand washbasin, 360 × 390mm.
- Basin internal diameter: 310mm.
- Clean and simple design.
- Bacteriostatic 304 stainless steel.
- Stainless steel thickness: 1.2mm.
- Rounded edges prevent injury.
- Supplied with 1¼" waste.
- Without overflow.
- Supplied with fixing elements.
- CE marked. Complies with European standard EN 14688.
- Weight: 4.1kg.
- 10-year warranty.

For taps see the DELABIE catalogue "Water Controls for Public and Commercial Places" (DOC 609INT).



120800

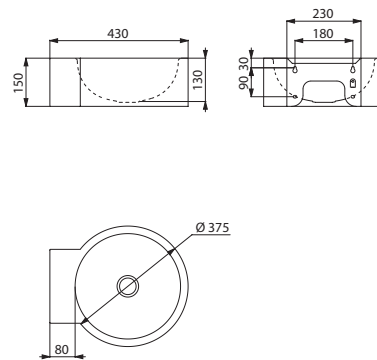
REDO hand washbasin

Wall-mounted



- Wall-mounted hand washbasin.
- Basin internal diameter: 310mm.
- Clean and simple design.
- Bacteriostatic 304 stainless steel.
- Stainless steel thickness: 1.2mm.
- Rounded edges prevent injury.
- Supplied with 1¼" waste.
- Without overflow.
- Supplied with fixing elements.
- CE marked. Complies with European standard EN 14688.
- Weight: 3kg.
- 10-year warranty.


For taps see the DELABIE catalogue "Water Controls for Public and Commercial Places" (DOC 609INT).



120710

Wall-mounted FACIL hand washbasin - Polished satin 304 stainless steel	
Without tap hole	 120800
With right tap hole Ø 35mm	 121800

 : dispatch within 4 weeks  : stock item

Wall-mounted REDO hand washbasin - Polished satin 304 stainless steel	
Without tap hole	 120710
With central tap hole Ø 35mm	 121710

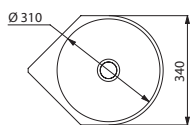
MINIMAL hand washbasin

Wall-mounted - Corner washbasin



- Wall-mounted hand washbasin for installation in corners (walls at 90°).
- Basin internal diameter: 310mm.
- Clean and simple design.
- Bacteriostatic 304 stainless steel.
- Stainless steel thickness: 1.2mm.
- Rounded edges prevent injury.
- Supplied with 1¼" waste.
- Without overflow.
- Supplied with fixing elements.
- CE marked. Complies with European standard EN 14688.
- Weight: 4kg.
- 10-year warranty.

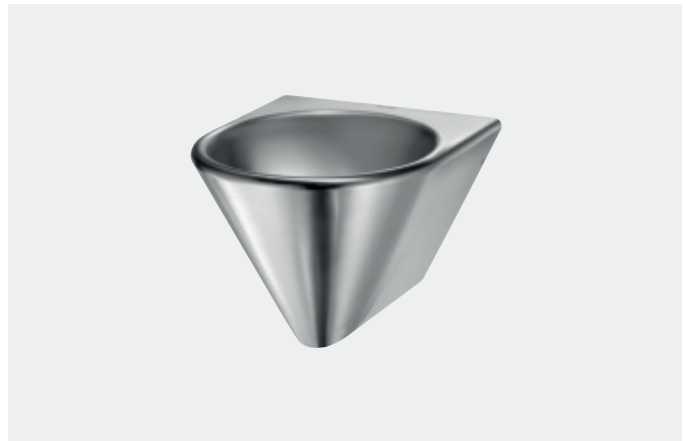
For taps see the DELABIE catalogue "Water Controls for Public and Commercial Places" (DOC 609INT).



120550

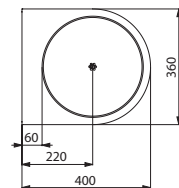
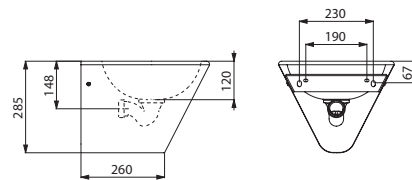
BOB hand washbasin

Wall-mounted with concealed drainage



- Wall-mounted hand washbasin.
- Basin internal diameter: 310mm.
- Clean and simple design.
- Bacteriostatic 304 stainless steel.
- Stainless steel thickness: 1.2mm.
- Rounded edges prevent injury.
- Vandal-resistant: shrouded basin, concealed trap.
- Quick and easy to install from the front thanks to a stainless steel mounting frame.
- Supplied with 1½" waste and trap.
- Without overflow.
- Supplied with fixing elements.
- CE marked. Complies with European standard EN 14688.
- Available for cross wall installation in service ducts (see page 66).
- Weight: 5.5kg.
- 10-year warranty.

For taps see the DELABIE catalogue "Water Controls for Public and Commercial Places" (DOC 609INT).



120130

Wall-mounted MINIMAL hand washbasin - Polished satin 304 stainless steel		
Without tap hole		120550
With central tap hole Ø 35mm		121550

Wall-mounted BOB hand washbasin - Polished satin 304 stainless steel		
Without tap hole		120130
With right tap hole Ø 35mm		121130

: dispatch within 4 weeks : stock item



LAVANDO hand washbasin **121360** - TEMPOMATIC 5 electronic tap **449006** - Wall-hung S21 S WC pan **110310**
Slimline black toilet seat **102819** - Recessed TEMPOFLUX 3 time flow flush system **763BOX + 763041** - Toilet brush with holder WC **4051S**

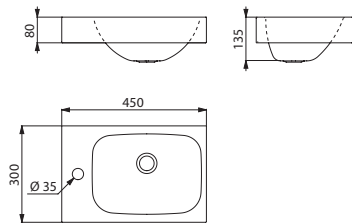
LAVANDO hand washbasin

Wall-mounted

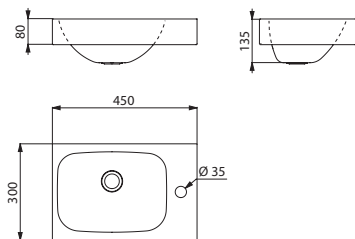


- Wall-mounted hand washbasin, 450 × 300mm.
- Bacteriostatic 304 stainless steel.
- Stainless steel thickness: 1.2mm.
- Rounded edges prevent injury.
- With Ø 35mm tap hole on left or right.
- Supplied with 1¼" waste. Without overflow. Supplied with fixing elements.
- CE marked. Complies with European standard EN 14688.
- Weight: 3.2kg.
- 10-year warranty.

For taps see the DELABIE catalogue "Water Controls for Public and Commercial Places" (DOC 609INT).



121360



121370

Wall-mounted LAVANDO hand washbasin - Polished satin 304 stainless steel		
With left tap hole Ø 35mm		121360
With right tap hole Ø 35mm		121370

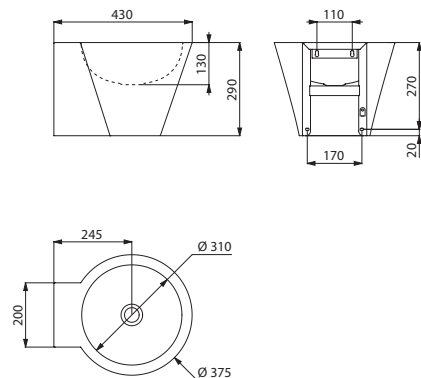
MINI BAILA washbasin

Wall-mounted



- Wall-mounted washbasin.
- Basin internal diameter: 310mm.
- Design-led styling.
- Bacteriostatic 304 stainless steel.
- Stainless steel thickness: 1mm.
- Dual finish is available: bright polished basin interior and polished satin exterior.
- Rounded edges prevent injury.
- Supplied with 1¼" waste. Without overflow. Supplied with fixing elements.
- CE marked. Complies with European standard EN 14688.
- Weight: 4.1kg.
- 10-year warranty.

For taps see the DELABIE catalogue "Water Controls for Public and Commercial Places" (DOC 609INT).



120180/120182

Wall-mounted MINI BAILA washbasin without tap hole		
Polished satin 304 stainless steel		120180
Dual finish 304 stainless steel		120182
Wall-mounted MINI BAILA washbasin with central tap hole Ø 35mm		
Polished satin 304 stainless steel		121180

: dispatch within 4 weeks : stock item

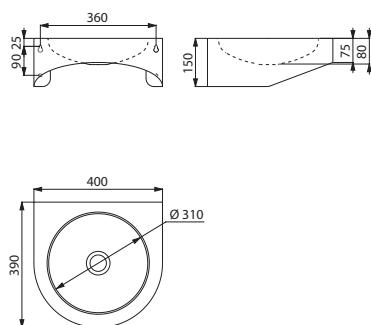
PMR XS hand washbasin

Wall-mounted



- Wall-mounted hand washbasin.
- Basin internal diameter: 310mm.
- Bacteriostatic 304 stainless steel.
- Stainless steel thickness: 1.2mm.
- Rounded edges prevent injury.
- Supplied with 1¼" waste.
- Without overflow.
- Supplied with fixing elements.
- CE marked. Complies with European standard EN 14688.
- Available for cross wall installation in service ducts (see page 67).
- Weight: 3.9kg.
- 10-year warranty.

For taps see the DELABIE catalogue "Water Controls for Public and Commercial Places" (DOC 609INT).



120400

Wall-mounted PMR XS hand washbasin - Polished satin 304 stainless steel

Without tap hole		120400
With right tap hole Ø 35mm		123400

 : dispatch within 4 weeks  : stock item

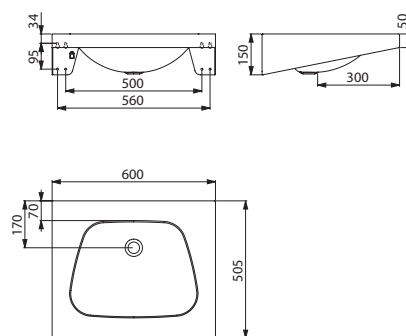
TRAPEZ washbasin

Wall-mounted



- Wall-mounted washbasin, 600 × 505mm.
- Washbasin suitable for people with reduced mobility.
- Bacteriostatic 304 stainless steel.
- Stainless steel thickness: 1.2mm.
- Rounded edges prevent injury.
- Supplied with 1¼" waste.
- Without overflow.
- Supplied with fixing elements.
- CE marked. Complies with European standard EN 14688.
- Weight: 5.5kg.
- 10-year warranty.

For taps see the DELABIE catalogue "Water Controls for Public and Commercial Places" (DOC 609INT).



120270

Wall-mounted TRAPEZ washbasin - Polished satin 304 stainless steel

Without tap hole		120270
With central tap hole Ø 35mm		121270

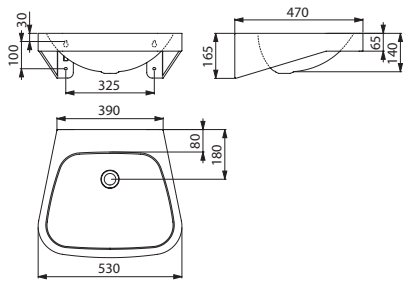
FRAJU washbasin

Wall-mounted

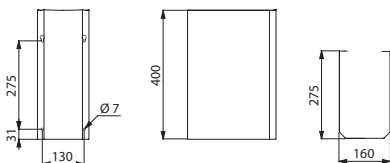


- Wall-mounted washbasin, 530 × 470mm.
- Bacteriostatic 304 stainless steel.
- Stainless steel thickness: 1.2mm for the bowl and 1.5mm for the surround.
- Rounded edges prevent injury.
- Supplied with 1¼" waste. Without overflow. Supplied with fixing elements.
- CE marked. Complies with European standard EN 14688.
- Weight: 4.65kg.
- Option to add a bacteriostatic 304 stainless steel trap cover, stainless steel thickness: 1.2mm.
- 10-year warranty.

For taps see the DELABIE catalogue "Water Controls for Public and Commercial Places" (DOC 609INT).



120430



100930

Wall-mounted FRAJU washbasin - Polished satin 304 stainless steel

Without tap hole		120430
With central tap hole Ø 35mm		121430

Trap cover for FRAJU washbasin

Polished satin 304 stainless steel		100930
------------------------------------	--	---------------

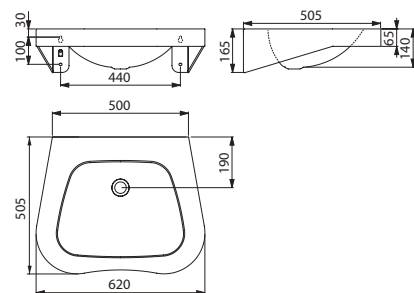
FRAJU PMR washbasin

Wall-mounted



- Wall-mounted washbasin, 620 × 505mm.
- Washbasin suitable for people with reduced mobility.
- Bacteriostatic 304 stainless steel.
- Stainless steel thickness: 1.2mm for the bowl and 1.5mm for the surround.
- Rounded edges prevent injury.
- Supplied with 1¼" waste. Without overflow. Supplied with fixing elements.
- CE marked. Complies with European standard EN 14688.
- Weight: 5kg.
- 10-year warranty.

For taps see the DELABIE catalogue "Water Controls for Public and Commercial Places" (DOC 609INT).



120440

Wall-mounted FRAJU PMR washbasin - Polished satin 304 stainless steel

Without tap hole		120440
With central tap hole Ø 35mm		121440

: dispatch within 4 weeks : stock item



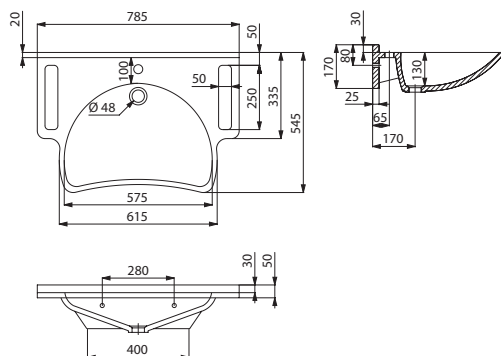
MINERALCAST PMR washbasin

Wall-mounted



- Wall-mounted washbasin, 785 × 545 × 170mm.
- With integral side grips which can be used as a support or a towel holder.
- Sleek and smooth lines.
- MINERALCAST: composite material consisting of natural minerals and polyester resin.
- Ideal for use in hospitals or public and commercial places.
- Shallow washbasin suitable for people with reduced mobility.
- Uniform, non-porous surface is easy to clean.
- One-piece cast washbasin, seam-free, for easy maintenance and better hygiene.
- Warm to the touch.
- Without overflow.
- Supplied with fixing elements.
- White, RAL 9016.
- CE marked. Complies with European standard EN14688.
- Weight: 21.5kg.
- 10-year warranty.

For taps see the DELABIE catalogue "Water Controls for Public and Commercial Places" (DOC 609INT) and "Water Controls for Healthcare Facilities" (DOC 900INT).



<p>Wall-mounted MINERALCAST PMR washbasin with central tap hole Ø 35mm</p>		<p>132306</p>
--	--	---------------

: dispatch within 4 weeks

: stock item

132306



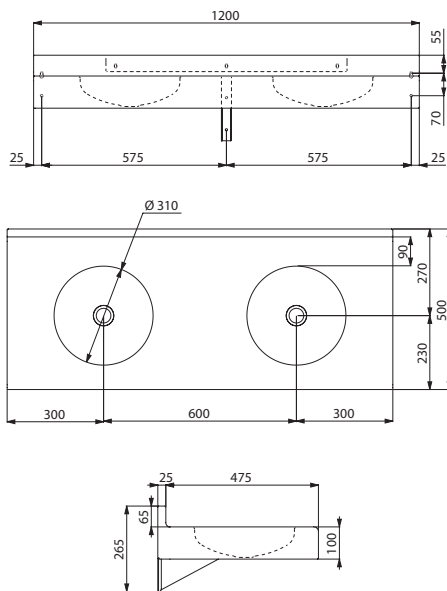
DUPLO RP multiple washbasin

Wall-mounted - Double washbasin



- Wall-mounted washbasin, for 2 services, 1,200 × 500mm.
- With an upstand to protect the wall from splashing and improve hygiene.
- Basin internal diameter: 310mm.
- Bacteriostatic 304 stainless steel.
- Stainless steel thickness: 1.5mm.
- Rounded edges prevent injury.
- Supplied with two 1¼" wastes.
- Without overflow.
- Supplied with brackets and fixing elements.
- CE marked. Complies with European standard EN 14688.
- Weight: 15kg.
- 10-year warranty.

For taps see the DELABIE catalogue "Water Controls for Public and Commercial Places" (DOC 609INT).



120390

Wall-mounted DUPLO RP multiple washbasin - Polished satin 304 st. steel

Without tap holes		120390
With two central tap holes Ø 35mm		121390

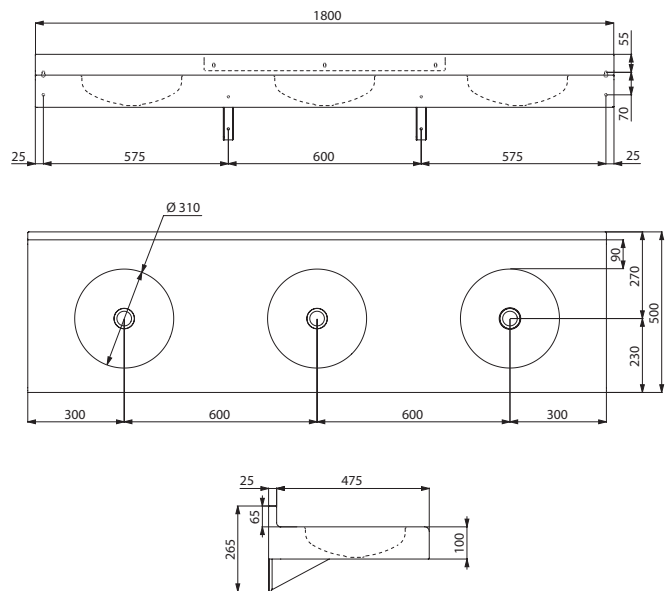
TRIPLO RP multiple washbasin

Wall-mounted - Triple washbasin



- Wall-mounted washbasin, for 3 services, 1,800 × 500mm.
- With an upstand to protect the wall from splashing and improve hygiene.
- Basin internal diameter: 310mm.
- Bacteriostatic 304 stainless steel.
- Stainless steel thickness: 1.5mm.
- Rounded edges prevent injury.
- Supplied with three 1¼" wastes.
- Without overflow.
- Supplied with brackets and fixing elements.
- CE marked. Complies with European standard EN 14688.
- Weight: 22kg.
- 10-year warranty.

For taps see the DELABIE catalogue "Water Controls for Public and Commercial Places" (DOC 609INT).



120750

Wall-mounted TRIPLO RP multiple washbasin - Polished satin 304 st. steel

Without tap holes		120750
With three central tap holes Ø 35mm		121750

: dispatch within 4 weeks : stock item



MINERALCAST wash trough with 3 services **454182** - Pedestal for MINERALCAST wash trough (x2) **454010**
TEMPOMATIC 4 electronic tap **440006** - Electronic liquid soap dispenser **512066S** - HIGHFLOW high speed air pulse hand dryer **510622S**

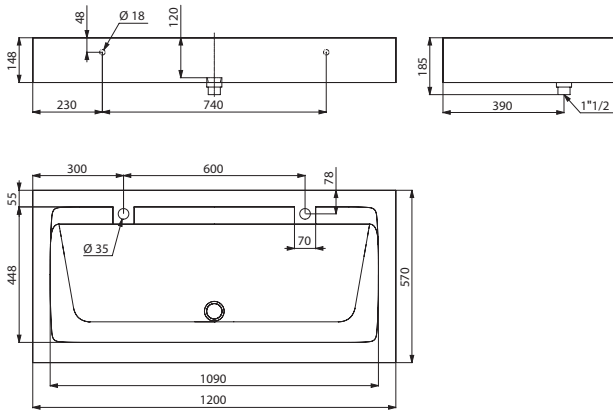
MINERALCAST wash trough

Wall-mounted - 2 or 3 services



- Wall-mounted wash trough, for 2 or 3 services.
- MINERALCAST: composite material consisting of natural minerals and polyester resin.
- Ideal for use in public and commercial places.
- Uniform, non-porous surface is easy to clean.
- One-piece cast washbasin, seam-free, for easy maintenance and better hygiene.
- Pleasant to the touch.
- Supplied with 1½" waste. Without overflow.
- Supplied with fixing elements.
- White, RAL 9016.
- CE marked. Complies with European standard EN 14296.
- Weight: 64kg for double basin model; 90kg for triple basin model.
- MINERALCAST pedestals in anthracite also available, sold individually.
- 10-year warranty.

For taps see the DELABIE catalogue "Water Controls for Public and Commercial Places" (DOC 609INT).



454122

Wall-mounted MINERALCAST wash trough without tap holes		
2 services - L. 1,200mm		454120
3 services - L. 1,800mm		454180
Wall-mounted MINERALCAST wash trough with central tap holes Ø 35mm		
2 services - L. 1,200mm		454122
3 services - L. 1,800mm		454182
MINERALCAST pedestal (sold individually)		
H. 525mm - Anthracite		454001A
H. 675mm - Anthracite		454010

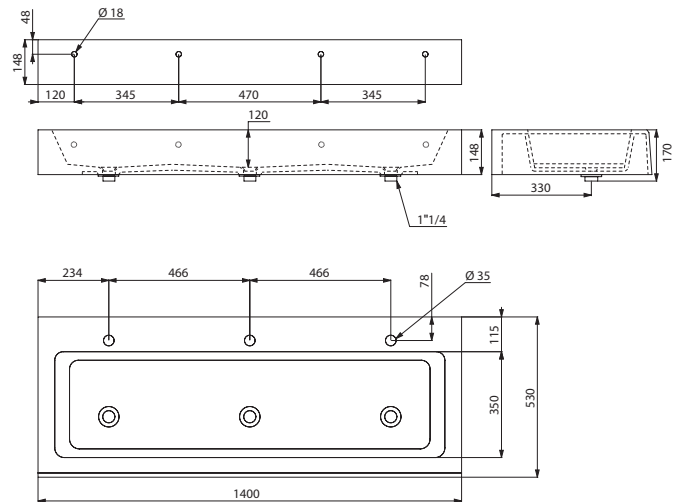
MINERALCAST wash trough

Wall-mounted - 3 services



- Wall-mounted wash trough, for 3 services.
- MINERALCAST: composite material consisting of natural minerals and polyester resin.
- Ideal for use in public and commercial places, especially schools.
- Uniform, non-porous surface is easy to clean.
- One-piece cast wash trough, seam-free, for easy maintenance and better hygiene.
- Pleasant to the touch.
- With incline to prevent water pooling.
- Supplied with three 1¼" wastes. Without overflow.
- Supplied with fixing elements.
- CE marked. Complies with European standard EN 14296.
- Weight: 63kg.
- 10-year warranty.

For taps see the DELABIE catalogue "Water Controls for Public and Commercial Places" (DOC 609INT).



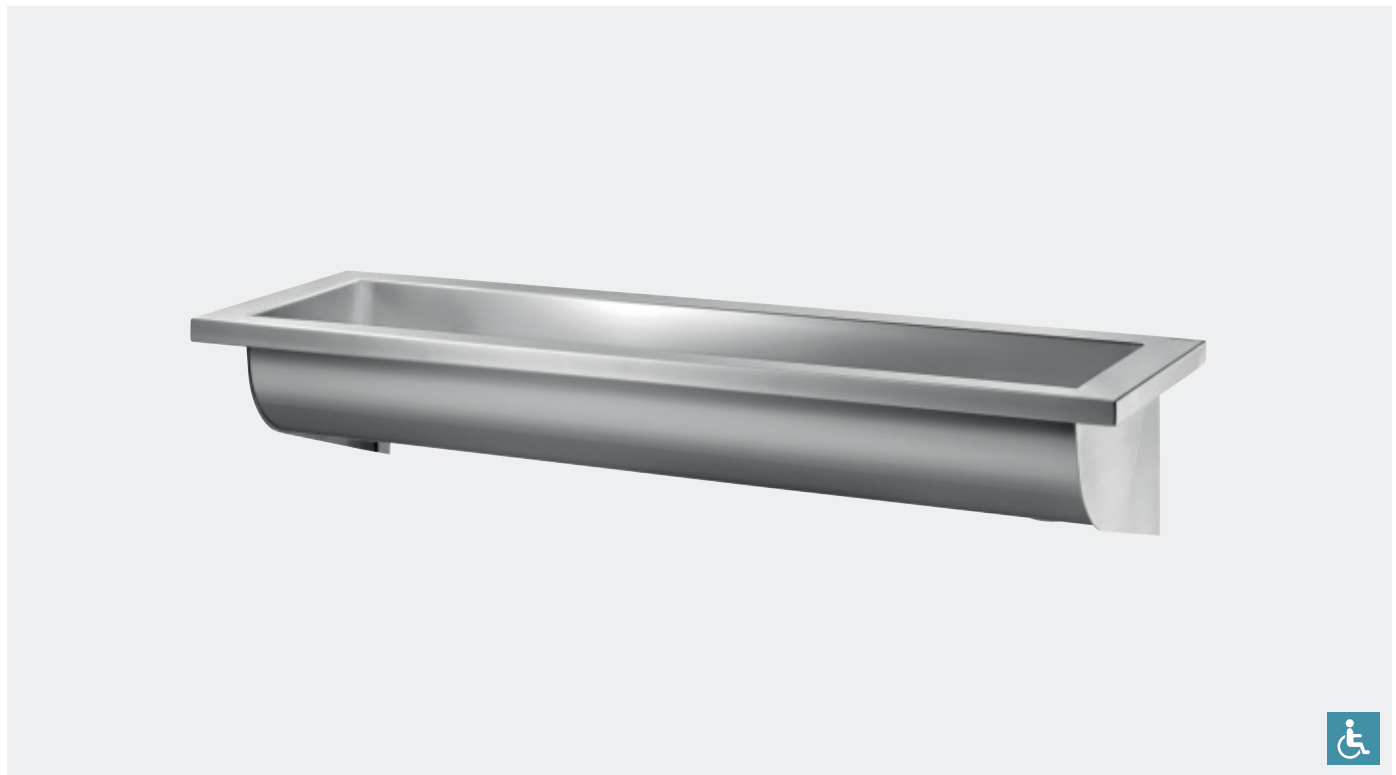
453140

Wall-mounted MINERALCAST wash trough with central tap holes Ø 35mm - 3 services - L. 1,400mm		453140
--	--	--------

: dispatch within 4 weeks : stock item












CANAL wash trough

Wall-mounted - 1 to 5 services



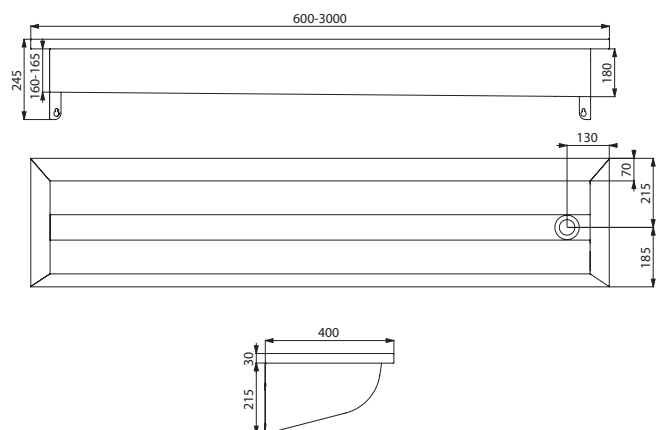
- Wall-mounted wash trough, for 1 - 5 services.
- Bacteriostatic 304 stainless steel.
- Stainless steel thickness: 0.8mm for the trough, 1.5mm for surround and fixing brackets.
- Easy to install: no joint concealers to install, lightweight wash trough.
- Taps can be installed wall-mounted or deck-mounted.
- Available with drainage on the right or left.
- Supplied with 1½" waste. Without overflow.
- Supplied with fixing elements.
- CE marked. Complies with European standard EN 14296.
- Weight: 4.9kg for the 600mm model; 7.6kg for the 1,200mm model; 8.5kg for the 1,400mm model; 10.3kg for the 1,800mm model; 13kg for the 2,400mm model; 15.6kg for the 3,000mm model.
- Option to add a stainless steel splashback (see *opposite*).
- 10-year warranty.

For taps see the DELABIE catalogue "Water Controls for Public and Commercial Places" (DOC 609INT).

Wall-mounted CANAL wash trough - Drainage on the right		
Without tap holes		
Pol. satin 304 st. steel - 1 service - L. 600mm		120240
Pol. satin 304 st. steel - 2 services - L. 1,200mm		120250
Pol. satin 304 st. steel - 2-3 services - L. 1,400mm		120260
Pol. satin 304 st. steel - 3-4 services - L. 1,800mm		120280
Pol. satin 304 st. steel - 4 services - L. 2,400mm		120300
Pol. satin 304 st. steel - 5 services - L. 3,000mm		120310
With tap holes Ø 22mm		
Pol. satin 304 st. steel - 2 services - L. 1,200mm		121250
Pol. satin 304 st. steel - 3 services - L. 1,800mm		121280
Pol. satin 304 st. steel - 4 services - L. 2,400mm		121300
Wall-mounted CANAL wash trough - Drainage on the left		
Without tap holes		
Pol. satin 304 st. steel - 2 services - L. 1,200mm		122250
Pol. satin 304 st. steel - 3-4 services - L. 1,800mm		122280

Available on request: other lengths (600mm - 3,000mm) and left drainage

 : dispatch within 4 weeks  : stock item

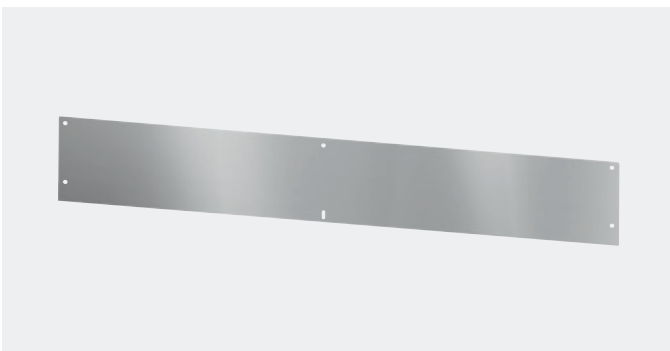


120240/120250/120260/120280/120300/120310

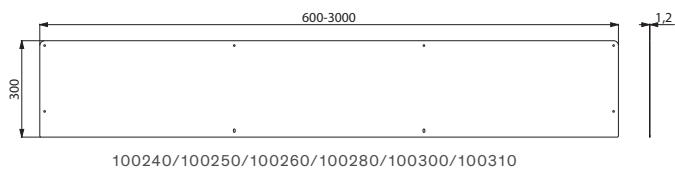







WASHBASINS

Splashback for CANAL wash trough



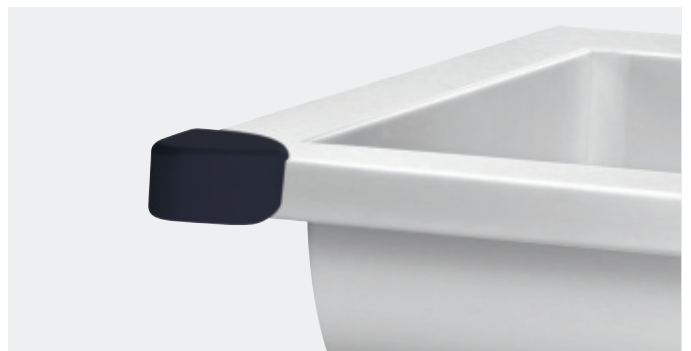
- Bacteriostatic 304 stainless steel, stainless steel thickness 1.2mm.
- 10-year warranty.



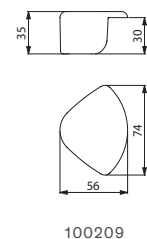
Splashback for CANAL wash trough		
Polished satin 304 stainless steel - L. 600mm		100240
Polished satin 304 stainless steel - L. 1,200mm		100250
Polished satin 304 stainless steel - L. 1,400mm		100260
Polished satin 304 stainless steel - L. 1,800mm		100280
Polished satin 304 stainless steel - L. 2,400mm		100300
Polished satin 304 stainless steel - L. 3,000mm		100310

Available on request: other lengths (600mm - 3,000mm)

Protective corners for CANAL wash trough

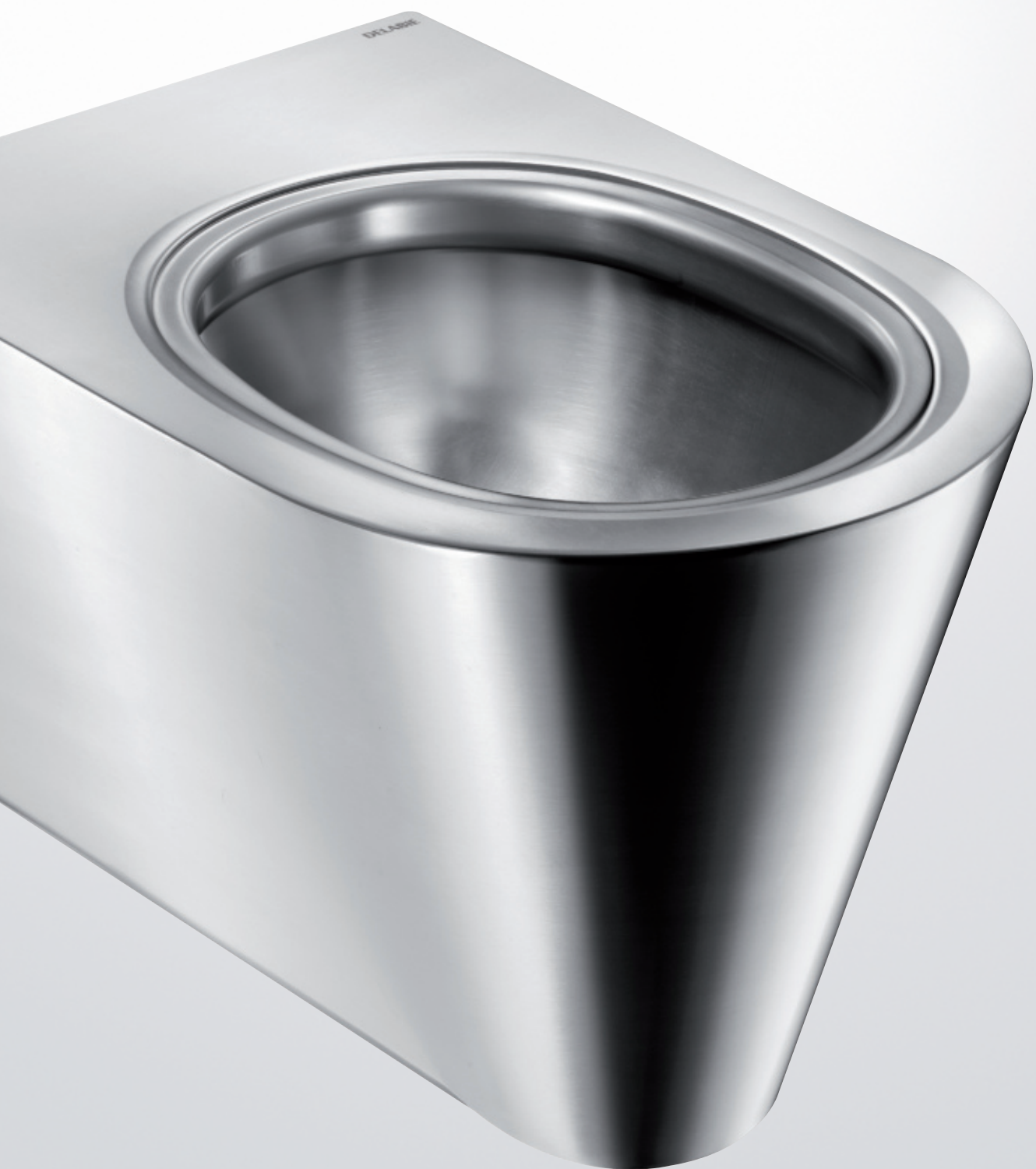


- Adhesive protective corners supplied with double-sided adhesive tape.
- Made from elastomer plastic.
- Sold in packs of 2.
- Grey, RAL 7015.
- 10-year warranty.



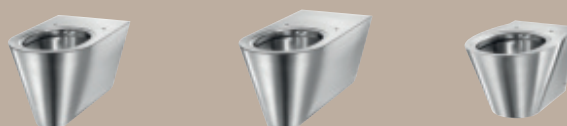
Protective corners for CANAL wash trough		100209
---	---	---------------

 : dispatch within 4 weeks  : stock item

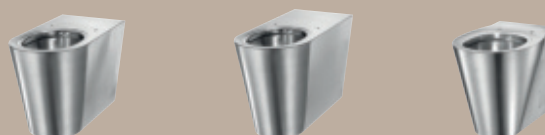


WC pans

WALL-HUNG
41



FLOOR-STANDING
44



CLOSE
COUPLED
46



TOILET
SEATS & LIDS
47

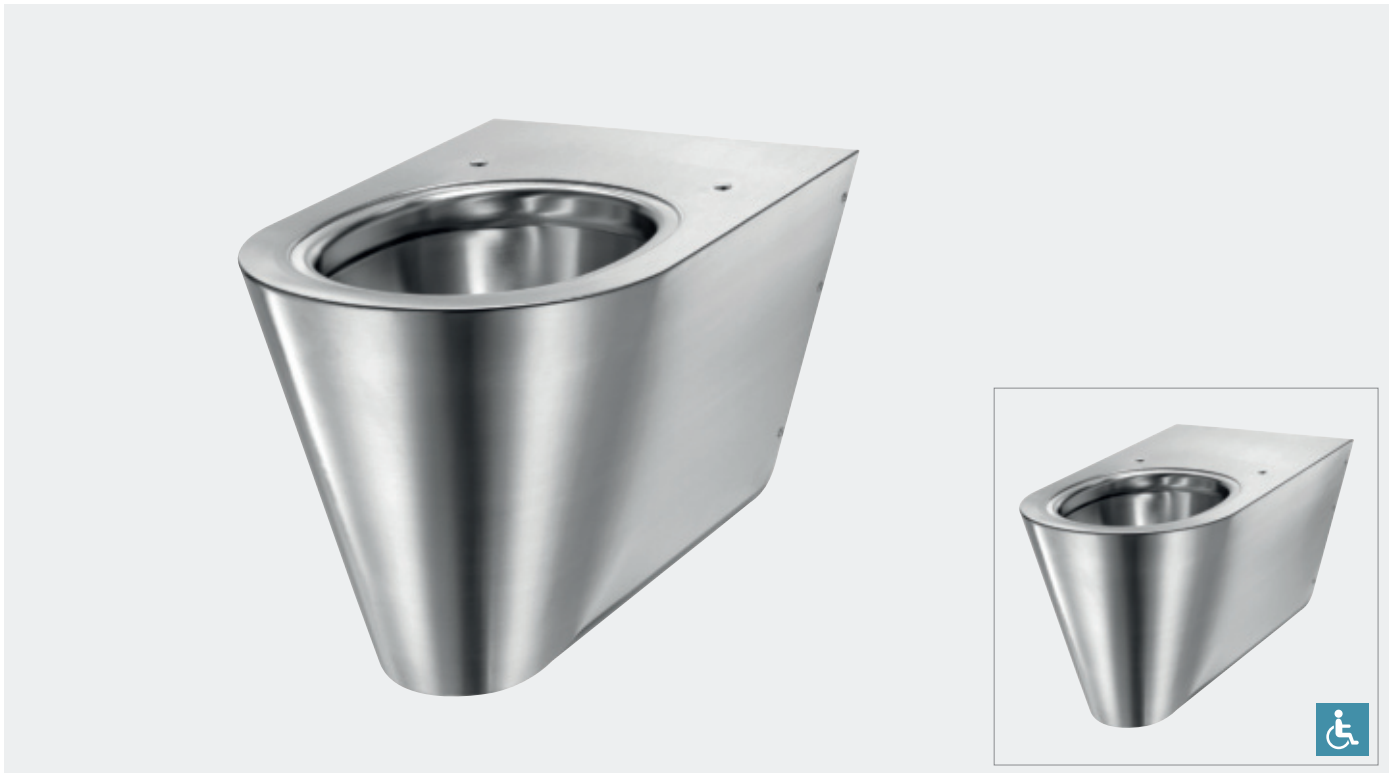




S21 S wall-hung WC pan **110310** - Slim black toilet seat **102819** - TEMPOFLUX 3 time flow direct flush valve **763BOX + 763040** - Toilet roll holder **510567**
Toilet brush set **4051S**

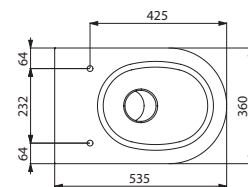
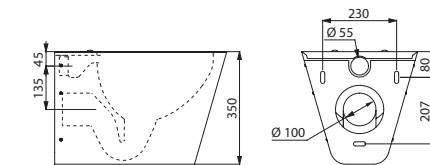
S21 S standard WC pan and 700 S WC pan for people with reduced mobility

Wall-hung

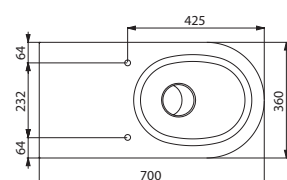
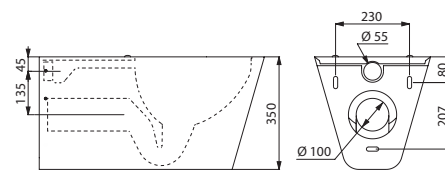


- Wall-hung WC pan.
- Available with 700mm elongated pan for improved comfort for people with reduced mobility (700 S).
- Compatible with all standard frame systems available on the market.
- Elegant and simple design.
- Bacteriostatic 304 stainless steel.
- Stainless steel thickness: 1.5mm.
- One-piece pressed WC bowl, seam-free for easy maintenance and better hygiene.
- WC bowl surface is polished with rounded edges for easy cleaning.
- Concealed perimetral flushing rim.
- Horizontal water inlet: Ø 55mm.
- Horizontal waste outlet: Ø 100mm.
- Water saving: works with 4L or more of water.
- Shrouded WC pan.
- Pre-drilled holes for fixing the toilet seat. Supplied with stainless steel blanking caps when installed without toilet seat.
- Quick and easy to install from the front thanks to a stainless steel mounting frame.
- Supplied with fixing plate and 6 theft prevention TORX security screws.
- CE marked. Complies with European standard EN 997 for 4L flush.
- Optional toilet seat with or without lid (see page 47).
- The S21 S WC pan can be ordered with black protective pads already fixed to the WC pan.
- Available for cross wall installation in service ducts (see page 70).
- Weight: 11kg for the S21 S model; 14.5kg for the 700 S model.
- 10-year warranty.

For flush valves see the DELABIE catalogue "Water Controls for Public and Commercial Places" (DOC 609INT).



110310



110710

Wall-hung S21 S WC pan		
Polished satin 304 stainless steel		110310
With black protective pads fixed to WC pan		110310PAD
Wall-hung 700 S WC pan for people with reduced mobility		
Polished satin 304 stainless steel		110710

: dispatch within 4 weeks : stock item



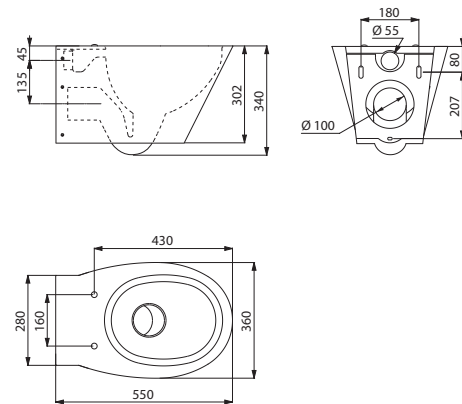
BCN S wall-hung WC pan **110110** - Slim black toilet seat **102419** - TEMPOFIX 3 frame system with TEMPOFLUX 3 time flow direct flush valve **564065 + 763000**
Toilet roll holder **510083S** - Toilet brush set **4051S**

BCN S WC pan

Wall-hung





- Wall-hung WC pan.
- Compatible with all standard frame systems available on the market.
- Elegant and simple design.
- Bacteriostatic 304 stainless steel.
- Stainless steel thickness: 1.5mm.
- Dual finish is available: bright polished pan interior and polished satin exterior.
- One-piece pressed WC bowl, seam-free for easy maintenance and better hygiene.
- WC bowl surface is polished with rounded edges for easy cleaning.
- Concealed perimetral flushing rim.
- Horizontal water inlet: Ø 55mm.
- Horizontal waste outlet: Ø 100mm.
- Water saving: works with 4L or more of water.
- Pre-drilled holes for fixing the toilet seat. Supplied with stainless steel blanking caps when installed without toilet seat.
- Quick and easy to install from the front thanks to a stainless steel mounting frame.
- Supplied with fixing plate and 6 theft prevention TORX security screws.
- CE marked. Complies with European standard EN 997 for 4L flush.
- Optional toilet seat with lid (see page 47).
- Weight: 12kg.
- 10-year warranty.



110110/110112

For flush valves see the DELABIE catalogue "Water Controls for Public and Commercial Places" (DOC 609INT).

Wall-hung BCN S WC pan		
Polished satin 304 stainless steel		110110
Dual finish 304 stainless steel		110112

 : dispatch within 4 weeks  : stock item

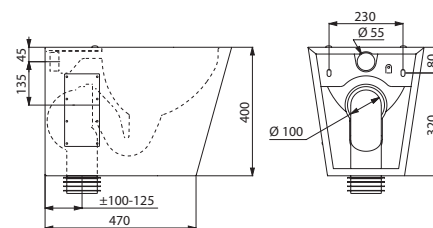
S21 P standard WC pan and 700 P WC pan for people with reduced mobility

Floor-standing

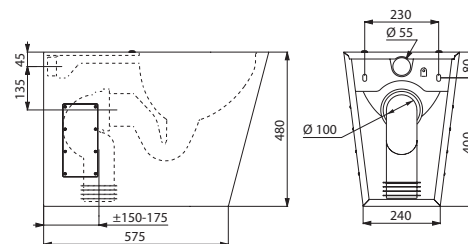


- Floor-standing WC pan.
- Available with 700mm elongated pan for better comfort for people with reduced mobility (700 P).
- Elegant and simple design.
- Bacteriostatic 304 stainless steel.
- Stainless steel thickness: 1.5mm.
- One-piece pressed WC bowl, seam-free for easy maintenance and better hygiene.
- WC bowl surface is polished with rounded edges for easy cleaning.
- Concealed perimetral flushing rim.
- Horizontal water inlet: Ø 55mm.
- Horizontal or vertical waste outlet: Ø 100mm. Supplied with PVC pipe.
- Water saving: works with 4L or more of water.
- Pre-drilled holes for fixing the toilet seat. Supplied with stainless steel blanking caps when installed without toilet seat.
- Quick and easy to install: 2 access panels with theft prevention TORX security screws.
- CE marked. Complies with European standard EN 997 for 4L flush.
- Optional toilet seat with or without lid (see page 47).
- Available for cross wall installation in service ducts (see page 70).
- Weight: 14kg for the S21 P model; 15kg for the 700 P model.
- 10-year warranty.



For flush valves see the DELABIE catalogue "Water Controls for Public and Commercial Places" (DOC 609INT).



110300



110700

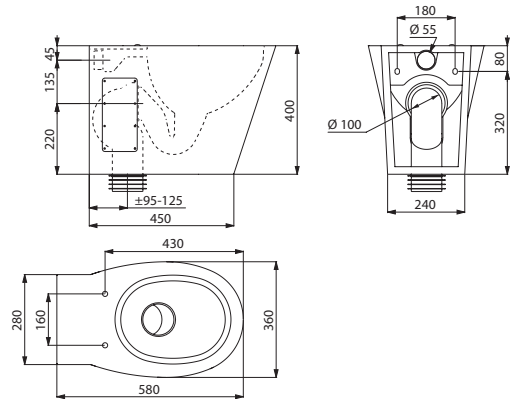
Floor-standing S21 P WC pan		
Polished satin 304 stainless steel		110300
Floor-standing 700 P WC pan for people with reduced mobility		
Polished satin 304 stainless steel		110700

 : dispatch within 4 weeks  : stock item

BCN P WC pan
Floor-standing





- Floor-standing WC pan.
- Elegant and simple design.
- Bacteriostatic 304 stainless steel.
- Stainless steel thickness: 1.5mm.
- One-piece pressed WC bowl, seam-free for easy maintenance and better hygiene.
- WC bowl surface is polished with rounded edges for easy cleaning.
- Concealed perimetral flushing rim.
- Horizontal water inlet: Ø 55mm.
- Horizontal or vertical waste outlet: Ø 100mm. Supplied with PVC pipe.
- Water saving: works with 4L or more of water.
- Pre-drilled holes for fixing the toilet seat. Supplied with stainless steel blanking caps when installed without toilet seat.
- Quick and easy to install: 2 access panels with theft prevention TORX security screws.
- CE marked. Complies with European standard EN 997 for 4L flush.
- Optional toilet seat with lid (see page 47).
- Weight: 12kg.
- 10-year warranty.



110100

For flush valves see the DELABIE catalogue "Water Controls for Public and Commercial Places" (DOC 609INT).

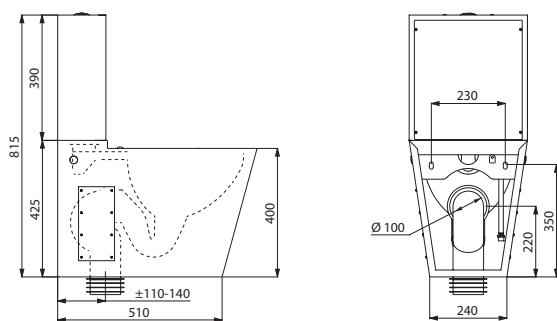
<p>Floor-standing BCN P WC pan Polished satin 304 stainless steel</p>	 110100
--	---

 : dispatch within 4 weeks  : stock item

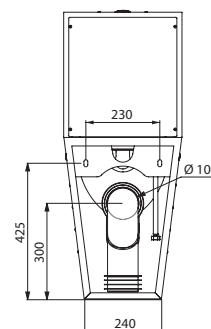
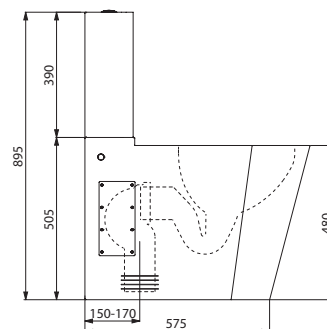
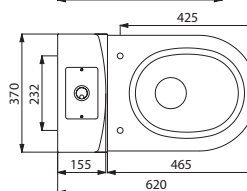
MONOBLOCO S21 standard WC pan and MONOBLOCO 700 PMR WC pan for people with reduced mobility
With cistern



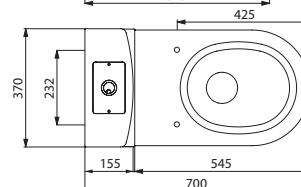
- Floor-standing WC pan with dual flush cistern 3L/6L.
- Available with 700mm elongated pan for better comfort for people with reduced mobility (700 PMR).
- Bacteriostatic 304 stainless steel. Stainless steel thickness: 1.5mm.
- One-piece pressed WC bowl, seam-free for better hygiene.
- WC bowl surface is polished with rounded edges for easy cleaning.
- Concealed perimetral flushing rim. Water supply can be recessed from below or exposed from the side (right/left).
- Recessed horizontal or vertical waste outlet. Supplied with PVC pipe.
- Pre-drilled holes for fixing the toilet seat. Supplied with stainless steel blanking caps when installed without toilet seat.
- Quick to install: 2 access panels with theft prevention TORX security screws.
- CE marked. Complies with European standard EN 997 for 4L flush.
- Optional toilet seat with or without lid (see opposite).
- Weight: 21kg for the S21 model; 22kg for the 700 PMR model.
- 10-year warranty.





110390



110790

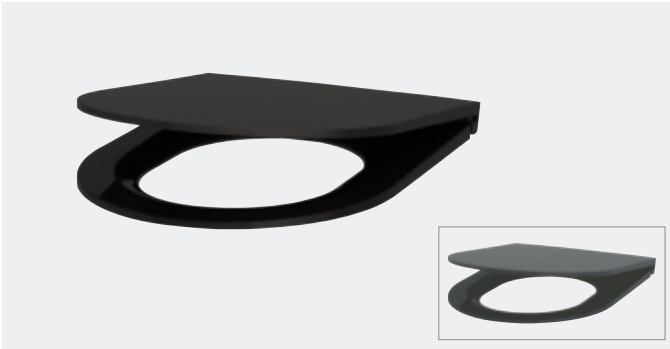


MONOBLOCO S21 close coupled WC pan		
Polished satin 304 stainless steel		110390
MONOBLOCO 700 PMR close coupled WC pan for people with reduced mobility		
Polished satin 304 stainless steel		110790

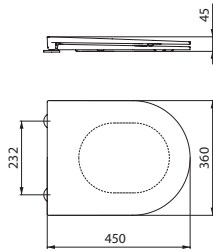
 : dispatch within 4 weeks  : stock item

Toilet seat for S21 WC model

With lid





- Toilet seat with lid.
- Made from Duroplast.
- With 304 stainless steel hinges.
- Slimline design.
- For S21 WC models.
- Supplied with fixing elements.
- 10-year warranty.



102819/102839

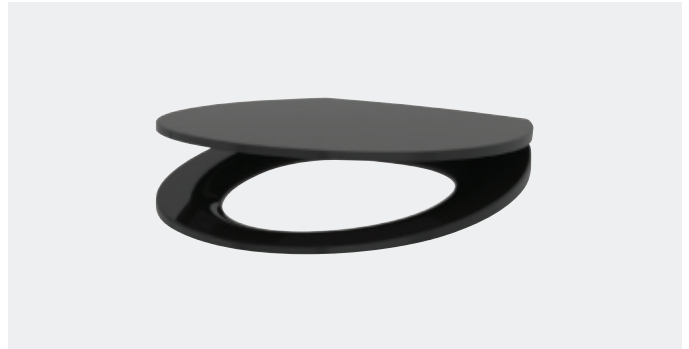
S21 toilet seat with lid

- Black - Slimline design - Duroplast
- Grey - Slimline design - Duroplast

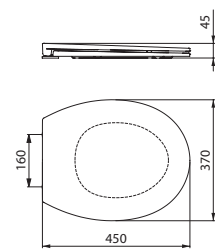
 **102819**
 **102839**

Toilet seat for BCN WC model

With lid



- Toilet seat with lid.
- Made from Duroplast.
- With 304 stainless steel hinges.
- Slimline design.
- For BCN WC models.
- Supplied with fixing elements.
- 10-year warranty.



102419

- BCN toilet seat with lid - Slimline design
- Black - Duroplast

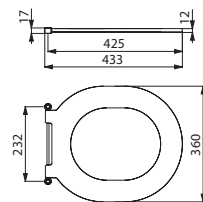
 **102419**

Toilet seat for S21/700 WC models

Vandal-resistant - Without lid



- Toilet seat without lid.
- Polyethylene vandal-resistant model is easy to clean.
- With 304 stainless steel hinges.
- For S21 and 700 WC models.
- Supplied with fixing elements.
- 10-year warranty.



101619

S21/700 toilet seat without lid - Black - Polyethylene  **101619**

 : dispatch within 4 weeks  : stock item



Urinals

INDIVIDUAL
URINALS
51



URINAL
DIVIDERS
54



RECESSED AND
FLOOR-STANDING
TROUGH URINALS
56



WALL-HUNG
TROUGH URINALS
58





FINO urinal **135710** - AZA urinal divider **100620** -TEMPOMATIC 4 electronic urinal valve **430SBOX + 430000**

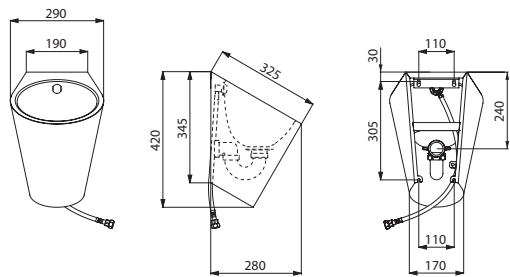
FINO urinal

Rimless

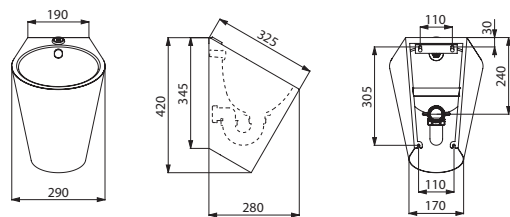


- Wall-hung individual rimless urinal.
- Compatible with all standard frame systems on the market.
- Bacteriostatic 304 stainless steel. Stainless steel thickness: 1.2mm.
- Rear (recessed) or top (exposed) water inlet.
- Recessed or exposed waste outlet. Concealed trap.
- Quick and easy to install from the front thanks to a stainless steel mounting frame.
- Supplied with a 1½" P trap. Supplied with fixing elements.
- CE marked. Complies with European standard EN 13407 for 2L flush.
- Weight: 3.5kg.
- 10-year warranty.



For valves, see recommendations for individual urinals on page 59.



135710



135110

Wall-hung FINO urinal		
Recessed water inlet		
Polished satin 304 stainless steel		135710
Exposed water inlet		
Polished satin 304 stainless steel		135110
Neck tube		757135

 : dispatch within 4 weeks  : stock item



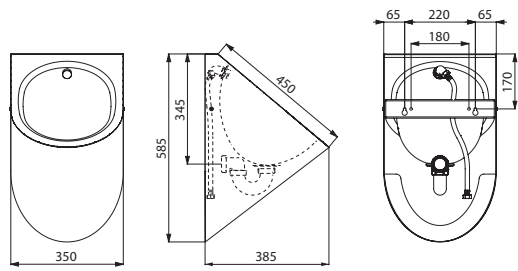
DELTA urinal

Rimless

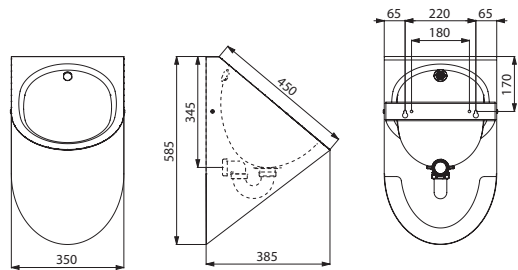


- Wall-hung individual rimless urinal.
- Compatible with all standard frame systems on the market.
- Bacteriostatic 304 stainless steel. Stainless steel thickness: 1.2mm.
- Dual finish is available: bright polished pan interior and polished satin exterior.
- Rear (recessed) or top (exposed) water inlet.
- Recessed or exposed waste outlet. Concealed trap.
- Quick and easy to install from the front thanks to a stainless steel mounting frame.
- Supplied with 1½" P trap, fixing elements and theft prevention TORX security screws.
- CE marked. Complies with European standard EN 13407 for 2L flush.
- Available for cross wall installation in service ducts (see page 76).
- Weight: 7.5kg.
- 10-year warranty.

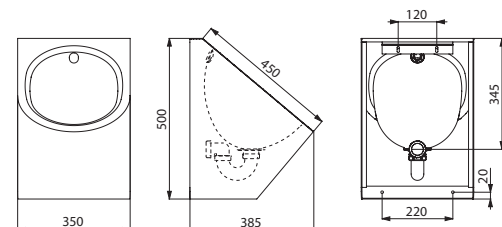
For valves, see recommendations for individual urinals on page 59.



134770/134772



134170



134710

Wall-hung DELTA urinal		
Recessed water inlet		
Polished satin 304 stainless steel		134770
Dual finish 304 stainless steel		134772
Exposed water inlet		
Polished satin 304 st. steel - Recessed water outlet		134170
Polished satin 304 st. steel - Exposed or recessed water outlet		134710
Neck tube		757162

: dispatch within 4 weeks : stock item

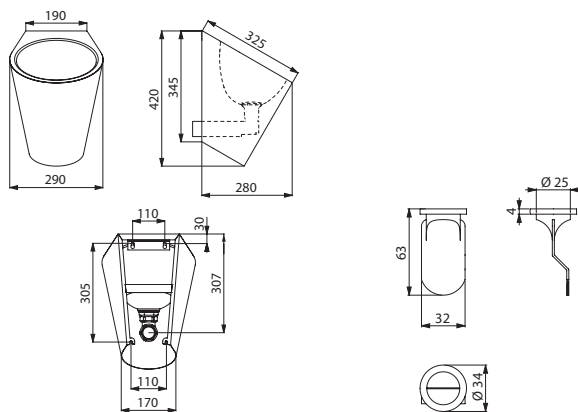
FINO WF urinal

Waterless



- Wall-hung individual waterless urinal.
- Compatible with all standard frame systems on the market.
- Bacteriostatic 304 stainless steel. Stainless steel thickness: 1.2mm.
- Horizontal waste outlet.
- Quick and easy to install from the front thanks to a stainless steel mounting frame.
- 1½" waste outlet.
- Supplied with a silicone membrane, to prevent bad smells, and with fixing elements.
- Weight: 3.5kg.
- 10-year warranty.

Waterless urinals should be rinsed every 2 hours to prevent bad smells and blockages in the pipework.



135010

101309

Wall-hung FINO WF urinal - Waterless

Polished satin 304 stainless steel



135010

Silicone membrane



101309

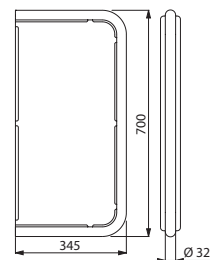
🕒 : dispatch within 4 weeks 📦 : stock item

TU divider

Wall-hung



- Wall-hung urinal divider.
- Bacteriostatic 304 stainless steel.
- Stainless steel thickness: 1.5mm.
- Smooth surface and rounded edges.
- Supplied with fixing elements and theft prevention TORX security screws.
- Weight: 6.2kg.
- 10-year warranty.



100610

Wall-hung TU urinal divider

Polished satin 304 stainless steel - Height 700mm



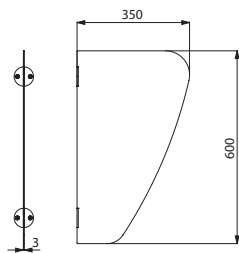
100610

AZA divider

Wall-hung



- Wall-hung urinal divider.
- Bacteriostatic 304 stainless steel.
- Stainless steel thickness: 3mm.
- Smooth surface and rounded edges.
- Supplied with fixing elements and theft prevention TORX security screws.
- Weight: 4kg.
- 10-year warranty.



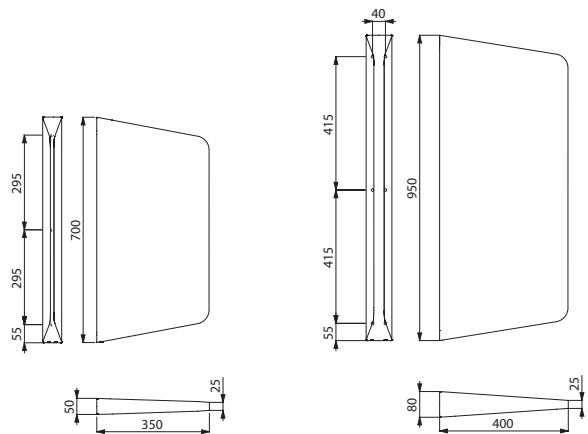
100620

LISO and LISO XL dividers

Wall-hung



- Wall-hung urinal divider.
- Bacteriostatic 304 stainless steel.
- Stainless steel thickness: 1.5mm.
- Smooth surface and rounded edges.
- Concealed fixings.
- Supplied with fixing elements.
- Weight: 8kg for the LISO model; 13kg for the LISO XL model.
- 10-year warranty.



100590

100600

Wall-hung AZA urinal divider
Polished satin 304 stainless steel - Height 600mm



100620

Wall-hung LISO and LISO XL urinal dividers

Polished satin 304 stainless steel - Height 700mm



100590

Polished satin 304 stainless steel - Height 950mm



100600

: dispatch within 4 weeks

: stock item

DELABIE / Recessed trough urinals

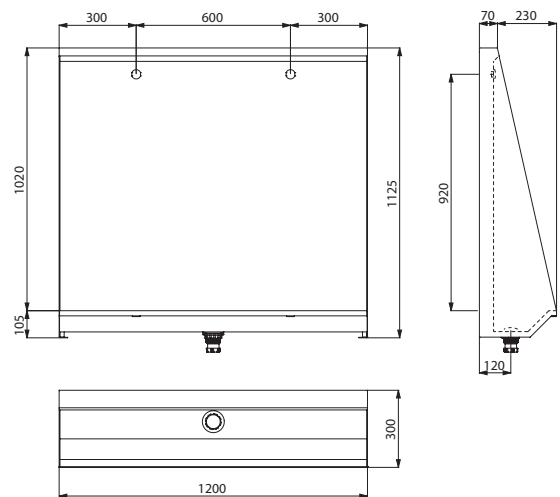
L urinal

Recessed - 1 to 3 services






- Trough urinal for recessing in the floor.
- Bacteriostatic 304 stainless steel. Stainless steel thickness: 1.2mm.
- Rear water inlet.
- Supplied with 1 stainless steel rinser and 1 flexible hose for the 600mm model; 2 stainless steel rinsers and 2 flexible hoses for the 1,200mm model; 3 stainless steel rinsers and 3 flexible hoses for the 1,800mm model.
- Water saving: optimal rinsing with 0.1 L/Sec. per service i.e. 0.3L per use.
- Central drainage.
- Waste outlet 1½". Supplied with waste and integrated trap (ref. 785000).
- Weight: 16.8kg for the 600mm model; 25.4kg for the 1,200mm model; 34kg for the 1,800mm model.
- 10-year warranty.

For valves, see recommendations for trough urinals on page 59.



130210

L urinal - Rear water inlet		
Polished satin 304 stainless steel - 1 service - L. 600mm		130200
Polished satin 304 stainless steel - 2 services - L. 1,200mm		130210
Polished satin 304 stainless steel - 3 services - L. 1,800mm		130220

Available on request: other lengths (600mm - 2,400mm)

 : dispatch within 4 weeks  : stock item

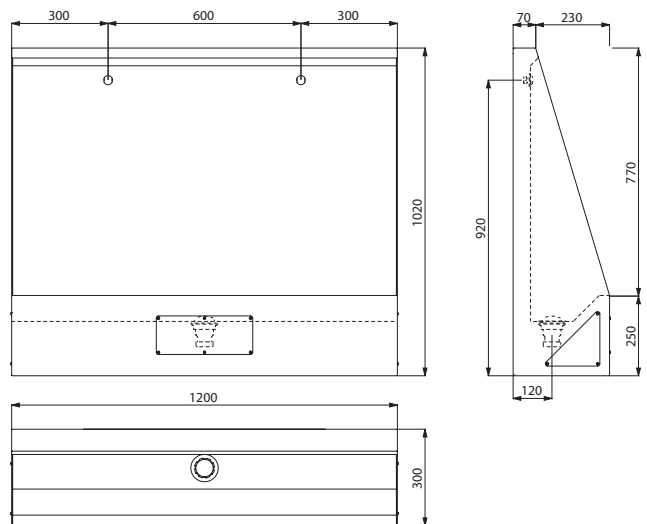
LP urinal

Floor-standing - 1 to 3 services






- Floor-standing trough urinal.
- Bacteriostatic 304 stainless steel. Stainless steel thickness: 1.2mm.
- Rear water inlet.
- Supplied with 1 stainless steel rinser and 1 flexible hose for the 600mm model; 2 stainless steel rinsers and 2 flexible hoses for the 1,200mm model; 3 stainless steel rinsers and 3 flexible hoses for the 1,800mm model.
- Water saving: optimal rinsing with 0.1 L/Sec. per service i.e. 0.3L per use.
- Central drainage.
- Waste outlet 1½". Supplied with waste and integrated trap (ref. 785000).
- Easy to install and maintain thanks to access panels with theft prevention TORX security screws.
- Weight: 15.2kg for the 600mm model; 24.2kg for the 1,200mm model; 33.5kg for the 1,800mm model.
- 10-year warranty.


For valves, see recommendations for trough urinals on page 59.



130310

LP urinal - Rear water inlet		
Polished satin 304 stainless steel - 1 service - L. 600mm		130300
Polished satin 304 stainless steel - 2 services - L. 1,200mm		130310
Polished satin 304 stainless steel - 3 services - L. 1,800mm		130320

Available on request: other lengths (600mm - 2,400mm)

 : dispatch within 4 weeks  : stock item

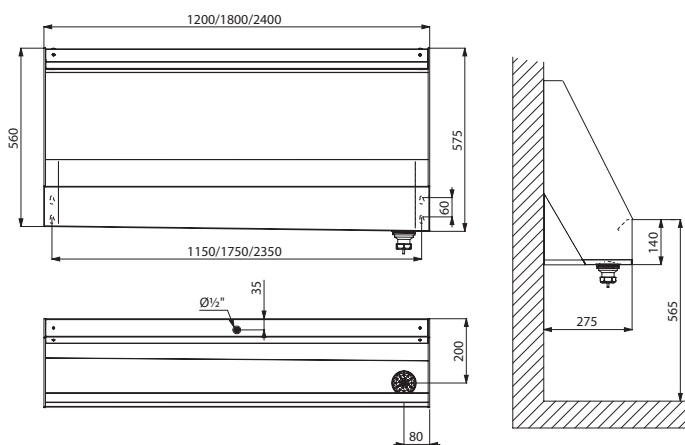
DELABIE / Wall-hung trough urinals

Trough urinal

Wall-hung - 2 to 4 services

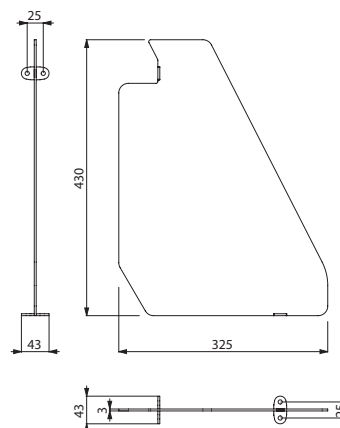


- Wall-hung trough urinal.
- Bacteriostatic 304 stainless steel. Stainless steel thickness: 1.2mm.
- Top water inlet F $\frac{1}{2}$ ".
- Supplied with 1 stainless steel spreader (perforated horizontal pipe) for optimum rinsing of urinal surface.
- Water saving: optimal rinsing with 0.1 L/Sec. per service i.e. 0.3L per use.
- Drainage on the right.
- Waste outlet 1 $\frac{1}{2}$ ".
- Supplied with fixing elements.
- Weight: 17.5kg for the 1,200mm model; 24.8kg for the 1,800mm model; 32.1kg for the 2,400mm model.
- Possible to add one or more bacteriostatic 304 stainless steel dividers. Fix directly onto the urinal in the desired location.
- Installation advice: if you wish to install 2 urinals side-by-side, we recommend ordering one urinal with drainage on the left and one urinal with drainage on the right.
- 10-year warranty.







For valves, see the recommendations for trough urinals opposite.

130100/130110/130120



100900

Wall-hung trough urinal - Top water inlet		
Polished satin 304 stainless steel - 2 services - L. 1,200mm		130100
Polished satin 304 stainless steel - 3 services - L. 1,800mm		130110
Polished satin 304 stainless steel - 4 services - L. 2,400mm		130120
Urinal divider for trough urinals		100900

Available on request: other lengths (600mm - 2,900mm) and left drainage

 : dispatch within 4 weeks  : stock item

Model	Reference	Connection	TIME FLOW VALVES			ELECTRONIC VALVES		
			Classic TEMPOSTOP	Soft-touch TEMPOSOFT TEMPOFLUX	+ Tube	TEMPOMATIC battery-operated	TEMPOMATIC mains	+ Tube
FINO	135710	recessed	-	778BOX + 778700	757430	430PBOX + 430006	430SBOX + 430000	757430
FINO	135710BK	recessed	-	-	-	430PBOX + 430036	430SBOX + 430030	757430
FINO	135110	in-line	777000	777800	757135	479410	-	757135
FINO	135110	angled	778000	778800 or 778759	757135 -	479413	-	-
DELTA	134770 164770	recessed	-	778BOX + 778700	757430	430PBOX + 430006	430SBOX + 430000	757430
DELTA	134170	in-line	777000	777800	757162	479410	-	757162
DELTA	134170	angled	778000	778800 or 778757	757162 -	479414	-	-
L trough	130200 130210 130220	recessed	-	778BOX + 778700	757430	430PBOX + 430006	430SBOX + 430000	757430
LP trough	130300 130310 130320	recessed	-	778BOX + 778700	757430	430PBOX + 430006	430SBOX + 430000	757430
Wall-hung trough urinal	130100 130110 130120	exposed	-	-	-	-	487620	-





Shower trays

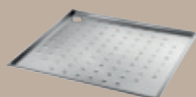
700 X 700
62



800 X 800
62



PMR
63



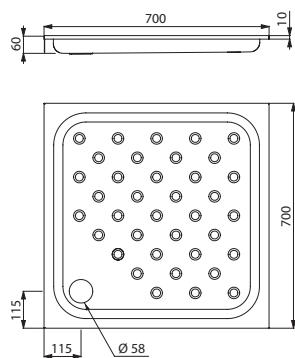
Shower tray 700 × 700

Recessed



- Recessed shower tray.
- Bacteriostatic 304 stainless steel.
- Stainless steel thickness: 1.2mm.
- One-piece pressed shower tray, seam-free for easy maintenance and better hygiene.
- Rounded internal corners for improved safety in the shower.
- Drainage slope.
- Supplied with 1½" waste.
- Non-slip surface.
- CE marked. Complies with European standard EN 14527.
- Weight: 5.5kg.
- 10-year warranty.

For shower controls see the DELABIE catalogue "Water Controls for Public and Commercial Places" (DOC 609INT).



150100

Recessed shower tray - 700 × 700mm
Polished satin 304 stainless steel - Depth 60mm



150100

🕒 : dispatch within 4 weeks 📦 : stock item

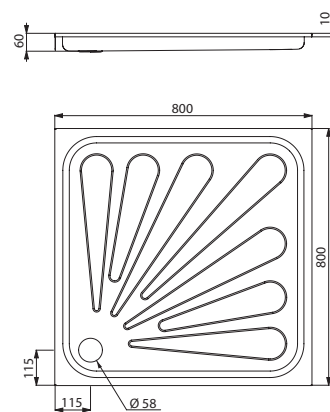
Shower tray 800 × 800

Recessed



- Recessed shower tray.
- Bacteriostatic 304 stainless steel.
- Stainless steel thickness: 1.2mm.
- One-piece pressed shower tray, seam-free for easy maintenance and better hygiene.
- Rounded internal corners for improved safety in the shower.
- Drainage slope.
- Supplied with 1½" waste.
- Non-slip surface.
- CE marked. Complies with European standard EN 14527.
- Weight: 7kg.
- 10-year warranty.

For shower controls see the DELABIE catalogue "Water Controls for Public and Commercial Places" (DOC 609INT).



150300

Recessed shower tray - 800 × 800mm
Polished satin 304 stainless steel - Depth 60mm



150300

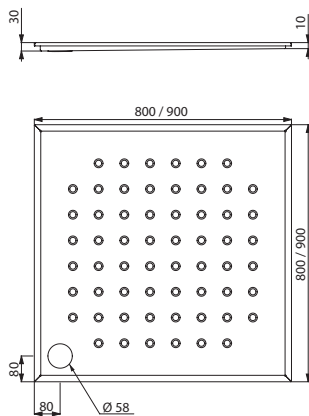
PMR shower tray

Recessed



- Recessed shower tray.
- Suitable for people with reduced mobility: slimline shower tray.
- Bacteriostatic 304 stainless steel.
- Stainless steel thickness: 1.5mm.
- Drainage slope.
- Supplied with 1½" waste.
- Non-slip surface.
- CE marked. Complies with European standard EN 14527.
- Weight: 8.5kg for the 800 × 800mm model;
9.5kg for the 900 × 900mm model.
- 10-year warranty.

For shower controls see the DELABIE catalogue "Water Controls for Public and Commercial Places" (DOC 609INT).



150500/150600

Recessed PMR shower tray

Polished satin 304 stainless steel - 800 × 800mm - Depth 30mm		150500
Polished satin 304 stainless steel - 900 × 900mm - Depth 30mm		150600

: dispatch within 4 weeks : stock item



Secure sector

WASHBASINS
66



WASHBASINS WITH
INTEGRATED TAPS
68



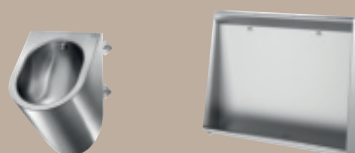
WC PANS
SQUAT WC PANS
70



WASHBASIN
AND WC
COMBINATIONS
73

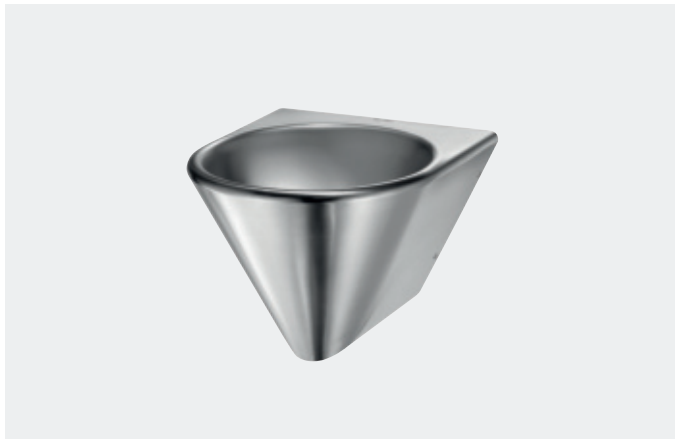


URINALS
76



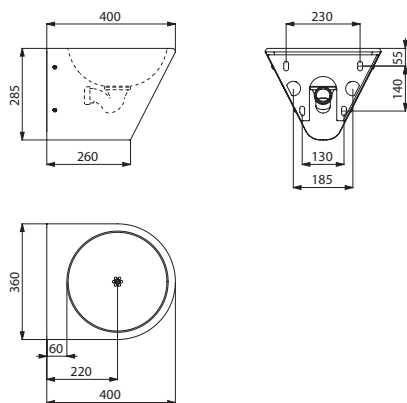
BOB HD hand washbasin

Wall-mounted with concealed drainage



- Wall-mounted hand washbasin.
- Basin internal diameter: 310mm.
- Bacteriostatic 304 stainless steel.
- Stainless steel thickness: 1.2mm.
- Rounded edges prevent injury.
- Vandal-resistant: shrouded basin, concealed trap, and reinforced mounting frame.
- Quick and easy to install from the front thanks to a stainless steel mounting frame.
- Supplied with 1½" waste and trap.
- Without overflow.
- Supplied with fixing elements.
- CE marked. Complies with European standard EN 14688.
- Weight: 5.5 kg.
- 10-year warranty.

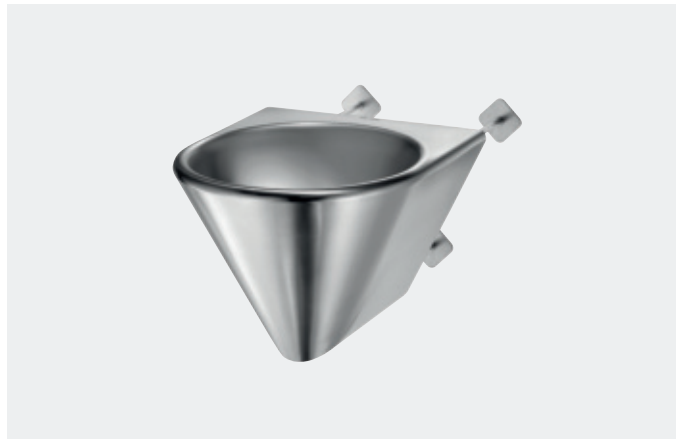
For taps see the DELABIE catalogue "Water Controls for Public and Commercial Places" (DOC 609INT).



164130

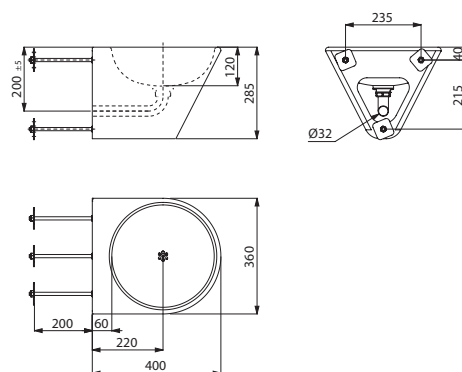
BOB TC hand washbasin

Wall-mounted with concealed drainage



- Wall-mounted hand washbasin, cross wall installation for service ducts.
- Basin internal diameter: 310mm.
- Bacteriostatic 304 stainless steel.
- Stainless steel thickness: 1.2mm.
- Rounded edges prevent injury.
- Vandal-resistant: shrouded basin, concealed trap.
- 200mm threaded rod can be cut to size (other lengths available on request).
- Recessed horizontal waste outlet Ø 32mm.
- Flat perforated waste, without screws: easy to clean and vandal-resistant.
- Without overflow.
- Supplied with fixing elements.
- CE marked. Complies with European standard EN 14688.
- Weight: 5.5 kg.
- 10-year warranty.

For taps see the DELABIE catalogue "Water Controls for Public and Commercial Places" (DOC 609INT).



160130

Wall-mounted BOB HD hand washbasin
Polished satin 304 stainless steel - Without tap hole  164130

Wall-mounted BOB TC hand washbasin
Polished satin 304 stainless steel - Without tap hole  160130

 : dispatch within 4 weeks  : stock item

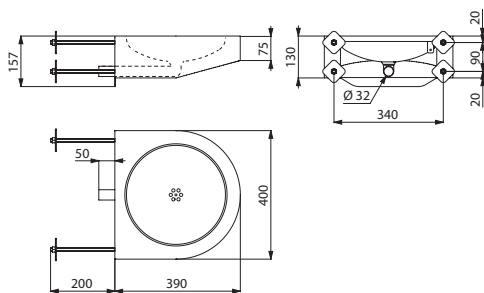
PMR XS TC hand washbasin

Wall-mounted for disabled people



- Wall-mounted hand washbasin, cross wall installation for service ducts.
- Basin internal diameter: 310mm.
- Bacteriostatic 304 stainless steel.
- Stainless steel thickness: 1.2mm.
- Rounded edges prevent injury.
- Vandal-resistant: shrouded basin, concealed trap.
- 200mm threaded rod can be cut to size (other lengths available on request).
- Recessed horizontal waste outlet Ø 32mm.
- Flat perforated waste, without screws: easy to clean and vandal-resistant.
- Without overflow.
- Supplied with fixing elements.
- CE marked. Complies with European standard EN 14688.
- Weight: 4.5kg.
- 10-year warranty.

For taps see the DELABIE catalogue "Water Controls for Public and Commercial Places" (DOC 609INT).



160250

Wall-mounted PMR XS TC hand washbasin
Polished satin 304 stainless steel - Without tap hole



160250

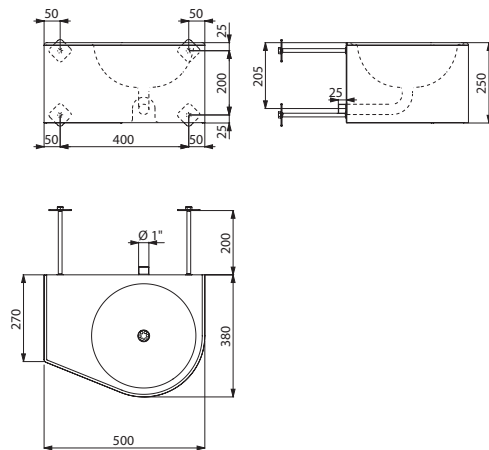
DUO S TC washbasin

Wall-mounted with concealed drainage



- Wall-mounted hand washbasin, cross wall installation for service ducts.
- Integrated countertop.
- 2 models available: right hand basin or left hand basin.
- Basin internal diameter: 310mm.
- Bacteriostatic 304 stainless steel.
- Stainless steel thickness: 1.2mm.
- Rounded edges prevent injury.
- Vandal-resistant: shrouded basin, concealed trap.
- 200mm threaded rod can be cut to size (other lengths available on request).
- Recessed horizontal waste outlet Ø 1".
- Flat perforated waste, without screws: easy to clean and vandal-resistant.
- Without overflow.
- Supplied with fixing elements.
- CE marked. Complies with European standard EN 14688.
- Weight: 8.5kg.
- 10-year warranty.

For taps see the DELABIE catalogue "Water Controls for Public and Commercial Places" (DOC 609INT).



160360

Wall-mounted DUO S TC washbasin without tap hole

Polished satin 304 stainless steel - Right hand basin	⌚	160360
Polished satin 304 stainless steel - Left hand basin	⌚	160370

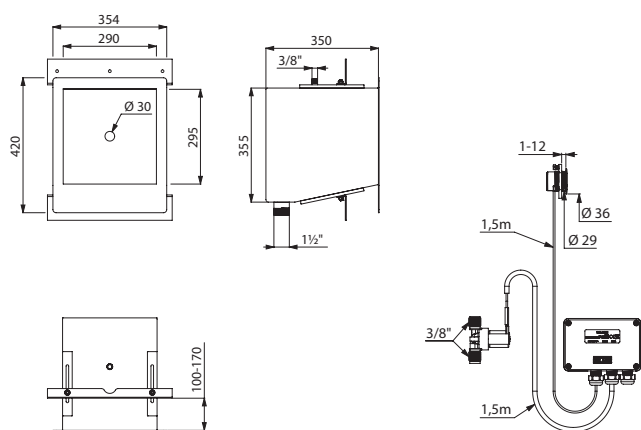
⌚ : dispatch within 4 weeks 📦 : stock item

COMMISSARIAT hand washbasin

Recessed



- Recessed hand washbasin, cross wall installation for service ducts.
- Interior basin dimensions: 290 × 290 × 350mm.
- Bacteriostatic 304 stainless steel.
- Stainless steel thickness: 2mm.
- Rounded edges prevent injury.
- Suitable for prisons, police stations, etc.
- Vandal-resistant: water inlet and outlet cannot be accessed by user.
- Supplied without water controls.
- Recommended electronic control: ref. 447100.
- Weight: 12.5kg.
- 10-year warranty.



160330

447100

Recessed COMMISSARIAT hand washbasin

Polished satin 304 stainless steel		160330
TEMPOMATIC electronic valve		447100

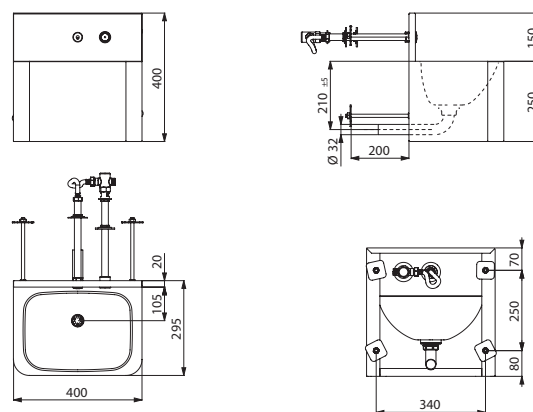
: dispatch within 4 weeks : stock item

TEK TC washbasin

Concealed drainage and integrated tap



- Wall-mounted washbasin, cross wall installation for service ducts.
- Bacteriostatic 304 stainless steel.
- Stainless steel thickness: 1.2mm.
- Rounded edges prevent injury.
- Vandal-resistant: shrouded basin, concealed trap.
- 200mm threaded rod can be cut to size (other lengths available on request).
- Supplied with 1 time flow tap: stainless steel tamperproof push-button and anti-blocking system, 7-second time flow.
- Recessed horizontal waste outlet Ø 32mm.
- Flat perforated waste, without screws: easy to clean and vandal-resistant.
- Without overflow.
- Supplied with fixing elements.
- CE marked. Complies with European standard EN 14688.
- Weight: 9kg.
- 10-year warranty.



160340

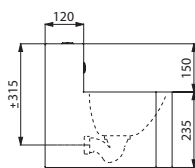
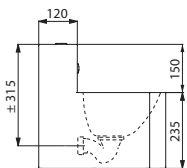
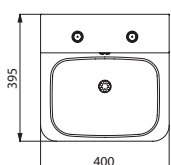
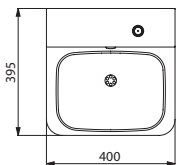
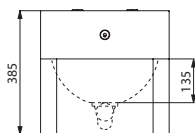
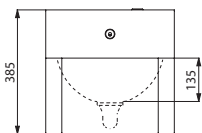
Wall-mounted TEK TC washbasin with integrated tap		160340
Polished satin 304 stainless steel		

TEK washbasins

Concealed drainage and integrated tap



- Wall-mounted washbasin.
- Bacteriostatic 304 stainless steel.
- Stainless steel thickness: 1.2mm
- Rounded edges prevent injury.
- Vandal-resistant: shrouded basin, concealed trap.
- Supplied with 1 time flow tap: stainless steel tamperproof push-button and anti-blocking system, 7-second time flow.
- Available with 2 buttons cold/mixed water.
- Flat perforated waste, without screws: easy to clean and vandal-resistant.
- Without overflow.
- Supplied with trap.
- Supplied with fixing elements.
- CE marked. Complies with European standard EN 14688.
- Weight: 8.6kg.
- 10-year warranty.



161340

161360

Wall-mounted TEK washbasin - Polished satin 304 stainless steel

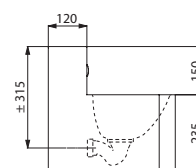
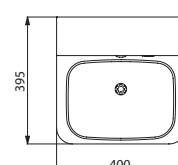
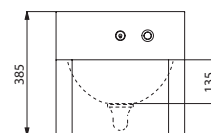
With integrated tap		161340
With integrated tap and 2 buttons cold/mixed water		161360

TEK washbasin

Concealed drainage and integrated electronic tap



- Wall-mounted washbasin.
- Bacteriostatic 304 stainless steel.
- Stainless steel thickness: 1.2mm.
- Rounded edges prevent injury.
- Vandal-resistant: shrouded basin, concealed trap.
- Supplied with 1 electronic tap: flow rate pre-set at 3 lpm, infrared presence detection, adjustable duty flush, 230/12V mains supply.
- Flat perforated waste, without screws: easy to clean and vandal-resistant.
- Without overflow.
- Supplied with trap.
- Supplied with fixing elements.
- CE marked. Complies with European standard EN 14688.
- Weight: 8.3kg.
- 10-year warranty.



161440

Wall-mounted TEK washbasin, integrated electronic tap		161440
Polished satin 304 stainless steel		

: dispatch within 4 weeks : stock item

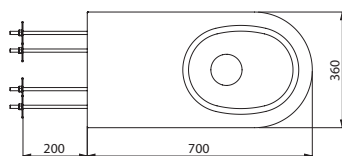
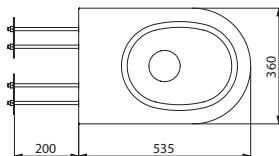
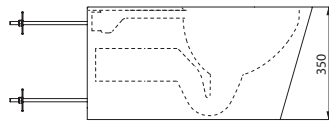
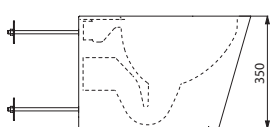
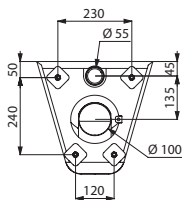
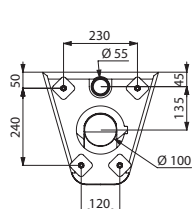
S21 S TC and 700 S TC WC pans

Wall-hung



- Wall-hung WC pan, cross wall installation for service ducts.
- Available with 700mm elongated pan for improved comfort for people with reduced mobility (700 S TC).
- Bacteriostatic 304 stainless steel. Stainless steel thickness: 1.5mm.
- One-piece, pressed WC bowl, seam-free for easy maintenance and better hygiene.
- WC bowl surface is polished with rounded edges for easy cleaning.
- Concealed perimetral flushing rim.
- Horizontal water inlet: Ø 55mm.
- Horizontal waste outlet: Ø 100mm.
- Water saving: works with 4L or more of water.
- 200mm threaded rod can be cut to size (other lengths available on request).
- Shrouded WC pan.
- CE marked. Complies with European standard EN 997 for 4L flush.
- Weight: 11kg for the S21 S TC model; 16.5kg for the 700 S TC model.
- 10-year warranty.

For flush valves see the DELABIE catalogue "Water Controls for Public and Commercial Places" (DOC 609INT).



160310

160710

Wall-hung S21 S TC WC pan

Polished satin 304 stainless steel



160310

Wall-hung 700 S TC WC pan for people with reduced mobility

Polished satin 304 stainless steel



160710

: dispatch within 4 weeks : stock item

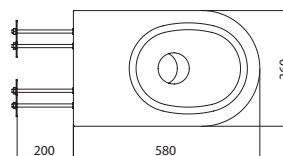
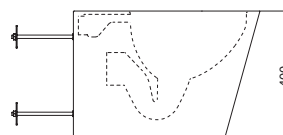
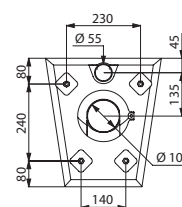
S21 P TC WC pan

Floor-standing



- Floor-standing WC pan, cross wall installation for service ducts.
- Bacteriostatic 304 stainless steel.
- Stainless steel thickness: 1.5mm.
- One-piece, pressed WC bowl, seam-free for easy maintenance and better hygiene.
- WC bowl surface is polished with rounded edges for easy cleaning.
- Concealed perimetral flushing rim.
- Horizontal water inlet: Ø 55mm.
- Horizontal waste outlet: Ø 100mm.
- Water saving: works with 4L or more of water.
- 200mm threaded rod can be cut to size (other lengths available on request).
- CE marked. Complies with European standard EN 997 for 4L flush.
- Weight: 13.5kg.
- 10-year warranty.

For flush valves see the DELABIE catalogue "Water Controls for Public and Commercial Places" (DOC 609INT).



160550

Floor-standing S21 P TC WC pan

Polished satin 304 stainless steel



160550

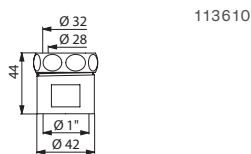
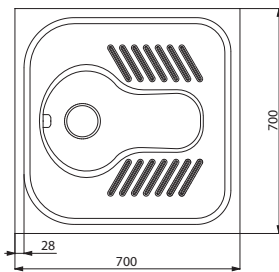
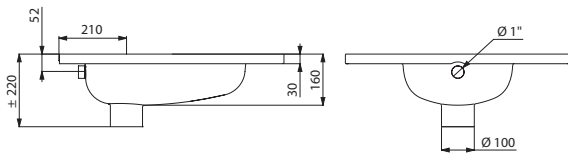
SHA 700 squat WC pan

Recessed

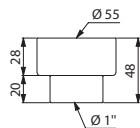


- Floor-recessed squat WC pan.
- Bacteriostatic 304 stainless steel.
- Stainless steel thickness 1.2mm.
- One-piece pressed WC bowl, seam-free for easy maintenance and better hygiene.
- Bowl shape suitable for male and female use.
- Non-slip foot area.
- Waste outlet: Ø 100mm.
- Flushing system with one 304 stainless steel spreader.
- Supplied with stainless steel trap welded to squat WC pan (depending on the model).
- Weight: 6kg for the model without a trap; 8kg for the model with a trap.
- 10-year warranty.

For flush valves see the DELABIE catalogue "Water Controls for Public and Commercial Places" (DOC 609INT).



827032



100569

Recessed SHA 700 squat WC pan - 1 spreader

Polished satin 304 stainless steel - Without trap		113610
Polished satin 304 stainless steel - With trap		113620

Flush tube adaptor

Ø 28-32mm for direct flush		827032
Ø 55mm for cistern flush		100569

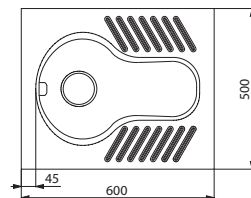
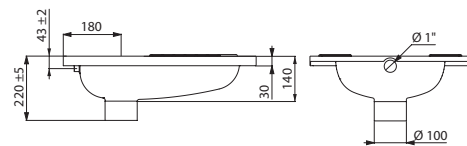
SHA XS squat WC pan

Recessed

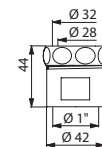


- Floor-recessed squat WC pan.
- Bacteriostatic 304 stainless steel.
- Stainless steel thickness 1.2mm.
- One-piece pressed WC bowl, seam-free for easy maintenance and better hygiene.
- Bowl shape suitable for male and female use.
- Non-slip foot area.
- Waste outlet: Ø 100mm.
- Flushing system with one 304 stainless steel spreader.
- Supplied with stainless steel trap welded to squat WC pan (depending on the model).
- Weight: 5kg for the model without a trap; 7kg for the model with a trap.
- 10-year warranty.

For flush valves see the DELABIE catalogue "Water Controls for Public and Commercial Places" (DOC 609INT).



113710



827032

Recessed SHA XS squat WC pan - 1 spreader

Polished satin 304 stainless steel - Without trap		113710
Polished satin 304 stainless steel - With trap		113720

Flush tube adaptor

Ø 28-32mm for direct flush		827032
----------------------------	--	---------------

NB: the Ø55mm flush tube adaptor is not suitable for the SHA XS squat WC pan

: dispatch within 4 weeks : stock item

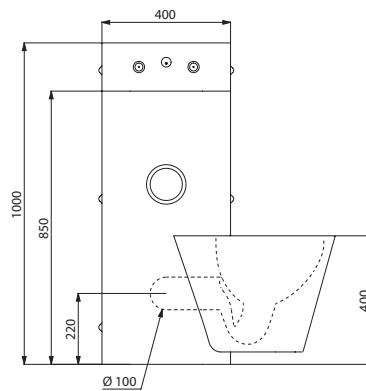


KOMPACT TC combi

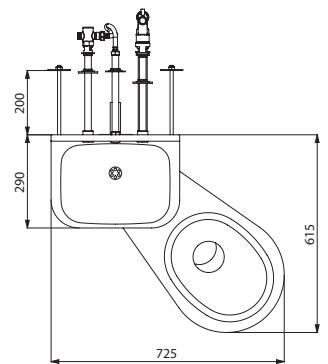
Cross wall installation for service ducts (TC)



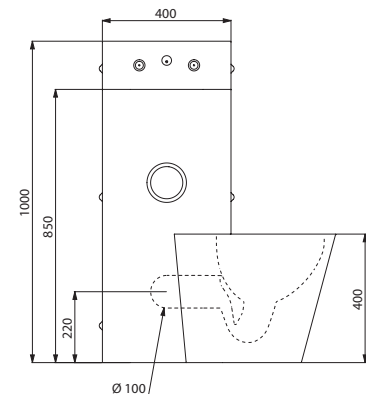
- Combination unit: washbasin and WC pan (hung or floor-standing) with recessed toilet roll holder.
- Service duct installation (cross wall).
- Bacteriostatic 304 stainless steel.
- Stainless steel unit thickness: 2mm.
- Rounded corners and edges for improved safety.
- Smooth surface for easy cleaning.
- Suitable for prisons, police stations, etc.
- WC pan is completely welded to washbasin, no screws: makes cleaning easier and prevents concealment of objects.
- Available with WC pan on the right, left or central to the unit.
- Washbasin equipped with time flow tap: stainless steel tamperproof push-button and anti-blocking system, 7-second time flow, M $\frac{1}{2}$ ".
- WC equipped with time flow flush valve, 7-second time flow, M $\frac{3}{4}$ ".
- Water inlet: washbasin M $\frac{1}{2}$ ", WC M $\frac{3}{4}$ ".
- Recessed horizontal water outlet: \varnothing 100mm.
- 200mm threaded rod can be cut to size (other lengths available on request).
- Weight: 30 kg.
- 10-year warranty.



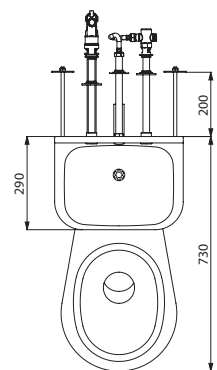
166300



166300/166600



166600



166500/166800

KOMPACT TC combi - Service duct installation (cross wall)		
Wall-hung WC		
Polished satin 304 stainless steel - Right hand WC pan		166300
Polished satin 304 stainless steel - Left hand WC pan		166400
Polished satin 304 stainless steel - Central WC pan		166500
Floor-standing WC		
Polished satin 304 stainless steel - Right hand WC pan		166600
Polished satin 304 stainless steel - Left hand WC pan		166700
Polished satin 304 stainless steel - Central WC pan		166800

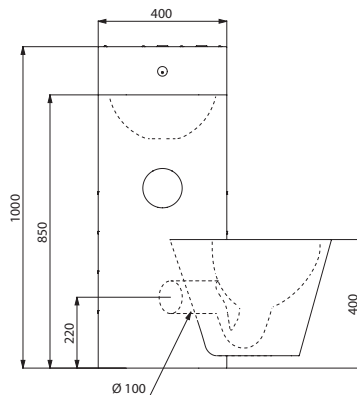
: dispatch within 4 weeks : stock item

KOMPACT combi with cistern

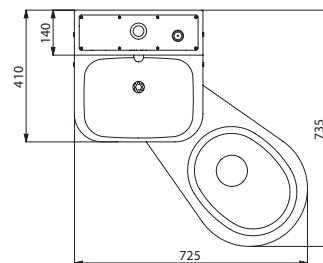
Wall-mounted installation with access panels



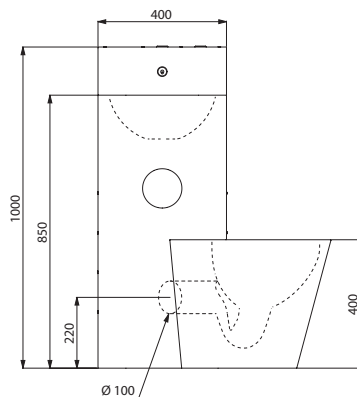
- Combination unit: washbasin and WC pan (hung or floor-standing), with cistern and recessed toilet roll holder.
- Wall-mounted installation with 3 access panels, 2 on the sides and 1 on the top, with theft prevention TORX security screws.
- Bacteriostatic 304 stainless steel.
- Stainless steel unit thickness: 2mm.
- Rounded corners and edges for improved safety.
- Smooth surface for easy cleaning.
- Suitable for prisons, police stations, etc.
- WC pan is completely welded to washbasin, no screws: makes cleaning easier and prevents concealment of objects.
- Available with WC pan on the right, left or central to the unit.
- Washbasin equipped with time flow tap: stainless steel tamperproof push-button and anti-blocking system, 7-second time flow, M $\frac{1}{2}$ ".
- WC fitted with 6-litre cistern.
- Water inlet: washbasin M $\frac{1}{2}$ ", WC M $\frac{3}{8}$ ".
- Recessed horizontal water outlet: \varnothing 100mm.
- Supplied with washbasin trap.
- Easy to install: only one water outlet for both washbasin and WC, water inlet and outlet already connected.
- Weight: 36kg.
- 10-year warranty.



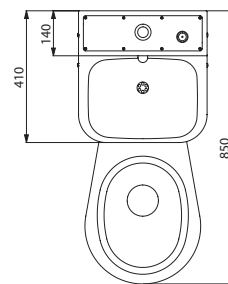
162300



162300/162600



162600



162500/162800

KOMPACT combi with cistern - Wall-mounted installation with access panels

Hung WC pan

Polished satin 304 stainless steel - Right hand WC pan		162300
Polished satin 304 stainless steel - Left hand WC pan		162400
Polished satin 304 stainless steel - Central WC pan		162500

Floor-standing WC pan

Polished satin 304 stainless steel - Right hand WC pan		162600
Polished satin 304 stainless steel - Left hand WC pan		162700
Polished satin 304 stainless steel - Central WC pan		162800

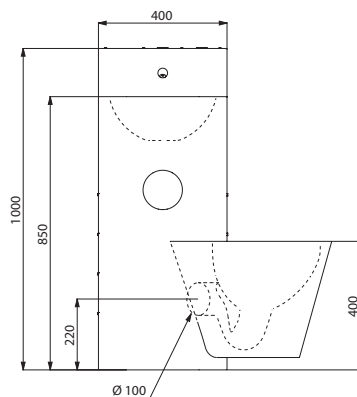
: dispatch within 4 weeks : stock item

KOMPACT combi

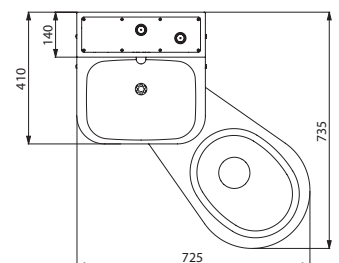
Wall-mounted installation with access panels



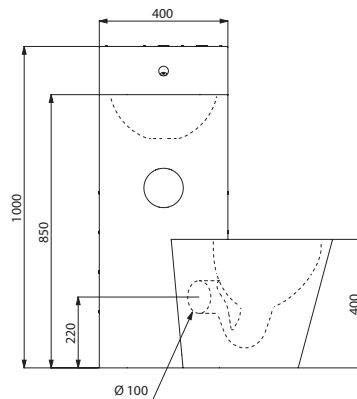
- Combination unit: washbasin and WC pan (hung or floor-standing) with recessed toilet roll holder.
- Wall-mounted installation with 3 access panels, 2 on the sides and 1 on the top, with theft prevention TORX security screws.
- Bacteriostatic 304 stainless steel. Stainless steel unit thickness: 2mm.
- Rounded corners and edges for improved safety.
- Smooth surface for easy cleaning.
- Suitable for prisons, police stations, etc.
- WC pan is completely welded to washbasin, no screws: makes cleaning easier and prevents concealment of objects.
- Available with WC pan on the right, left or central to the unit.
- Washbasin equipped with time flow tap: stainless steel tamperproof push-button and anti-blocking system, 7-second time flow, M $\frac{1}{2}$ ".
- Available with 2 buttons: cold water/mixed water.
- WC equipped with time flow flush valve, 7-second time flow, M $\frac{3}{4}$ ".
- Water inlet: washbasin M $\frac{1}{2}$ ", WC M $\frac{3}{4}$ ".
- Recessed horizontal water outlet: \varnothing 100mm.
- Supplied with washbasin trap.
- Easy to install: only one water outlet for both washbasin and WC, water inlet and outlet already connected.
- Weight: 36kg. 10-year warranty.



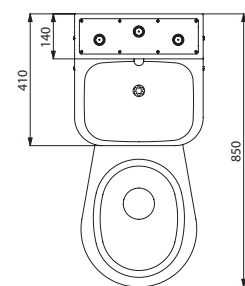
160300



160300/160600



160600



161800

KOMPACT combi - Wall-mounted installation with access panels

Hung WC pan

Polished satin 304 stainless steel - Right hand WC pan		160300
Polished satin 304 stainless steel - Left hand WC pan		160400
Polished satin 304 stainless steel - Central WC pan		160500

Floor-standing WC

Polished satin 304 stainless steel - Right hand WC pan		160600
Polished satin 304 stainless steel - Left hand WC pan		160700
Polished satin 304 stainless steel - Central WC pan		160800

KOMPACT combi - Wall-mounted installation with access panels With 2 buttons: cold water/mixed water

Floor-standing WC

Polished satin 304 stainless steel - Right hand WC pan		161600
Polished satin 304 stainless steel - Left hand WC pan		161700
Polished satin 304 stainless steel - Central WC pan		161800

: dispatch within 4 weeks : stock item

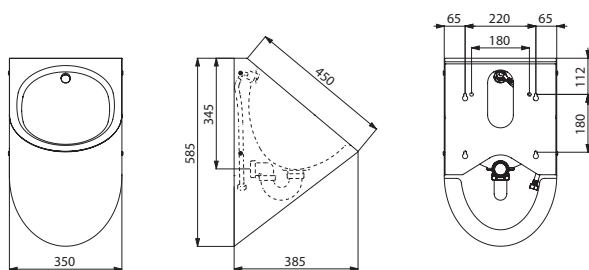
DELTA HD urinal

Rimless



- Wall-hung individual rimless urinal.
- Compatible with all standard frame systems on the market.
- Bacteriostatic 304 stainless steel. Stainless steel thickness: 1.2mm.
- Rear (recessed) water inlet.
- Vandal-resistant: recessed waste outlet, concealed trap, and reinforced mounting frame.
- Quick and easy to install from the front thanks to a stainless steel mounting frame.
- Supplied with 1½" P trap, fixing elements and theft prevention TORX security screws.
- CE marked. Complies with European standard EN 13407 for 2L flush.
- Weight: 7.5kg.
- 10-year warranty.

For valves, see recommendations for individual urinals on page 59.



164770

Wall-hung DELTA HD urinal
Recessed water inlet - Polished satin 304 stainless steel  164770

 : dispatch within 4 weeks  : stock item

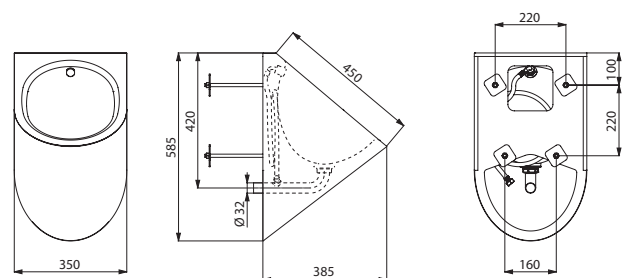
DELTA TC urinal

Rimless



- Wall-hung individual rimless urinal, cross wall installation for service ducts.
- Bacteriostatic 304 stainless steel. Stainless steel thickness: 1.2mm.
- Rear (recessed) water inlet.
- Vandal-resistant: recessed waste outlet, concealed trap.
- 200mm threaded rod can be cut to size (other lengths available on request).
- Supplied with fixing elements.
- CE marked. Complies with European standard EN 13407 for 2L flush.
- Weight: 8kg.
- 10-year warranty.

For urinal valves see the DELABIE catalogue "Water Controls for Public and Commercial Places" (DOC 609INT).



160770

Wall-hung DELTA TC urinal
Recessed water inlet - Polished satin 304 stainless steel  160770

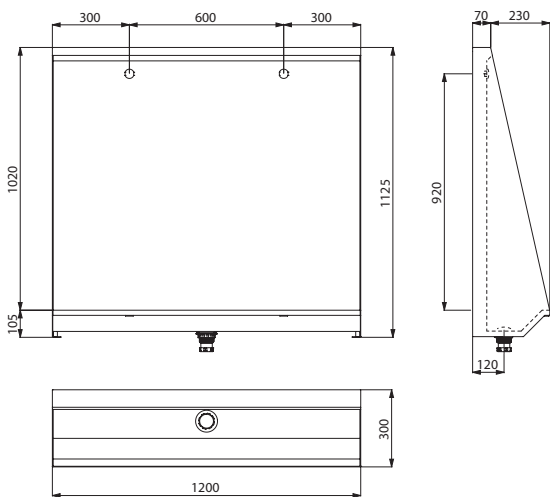
L urinal

Recessed - 1 to 3 services






- Trough urinal for recessing in the floor.
- Bacteriostatic 304 stainless steel. Stainless steel thickness: 1.2mm.
- Rear water inlet.
- Supplied with 1 stainless steel rinser and 1 flexible hose for the 600mm model; 2 stainless steel rinsers and 2 flexible hoses for the 1,200mm model; 3 stainless steel rinsers and 3 flexible hoses for the 1,800mm model.
- Water saving: optimal rinsing with 0.1 L/Sec. per service i.e. 0.3L per use.
- Central drainage.
- Waste outlet 1½". Supplied with waste and integrated trap (ref. 785000).
- Weight: 16.8kg for the 600mm model; 25.4kg for the 1,200mm model; 34kg for the 1,800mm model.
- 10-year warranty.



For valves, see recommendations for trough urinals on page 59.



130210

L urinal - Rear water inlet		
Polished satin 304 stainless steel - 1 service - L. 600mm		130200
Polished satin 304 stainless steel - 2 services - L. 1,200mm		130210
Polished satin 304 stainless steel - 3 services - L. 1,800mm		130220

Available on request: other lengths (600mm - 2,400mm)

 : dispatch within 4 weeks  : stock item



Professional equipment

SURGICAL SCRUB
UP TROUGHS
81



HAND WASHBASINS
DISPOSAL SINKS
83



DRINKING
FOUNTAINS
87



PROFESSIONAL
HAND WASHBASINS
88



ACCESSIBILITY
SOLUTIONS
90

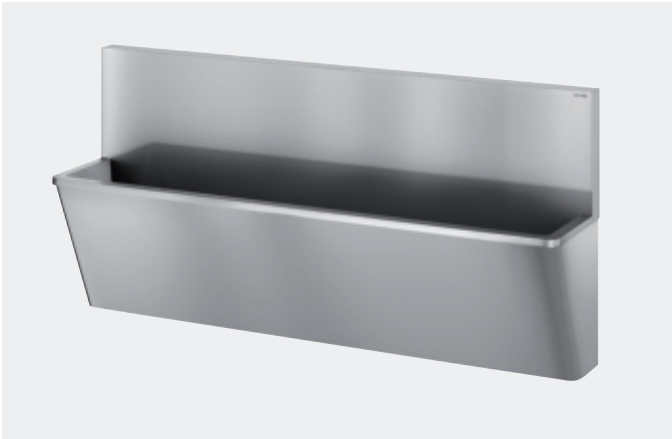




Surgical scrub up trough with high upstand - "Hygiene +" design **187000** - TEMPOMATIC electronic tap with BIOCLIP spout **20801T2** - Paper towel dispenser **6607D**

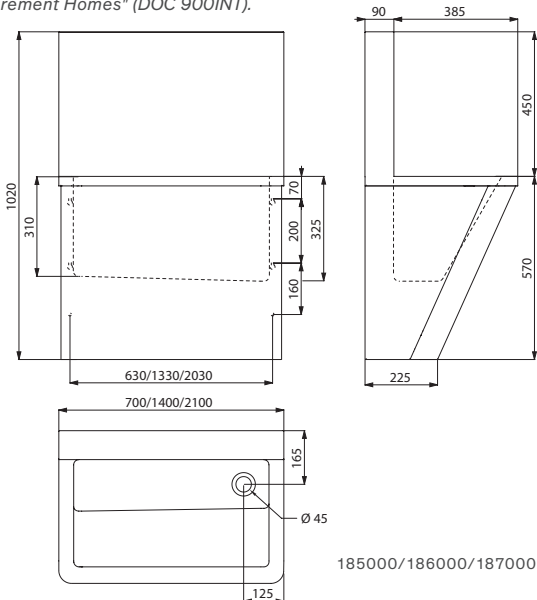
Surgical scrub up trough

High upstand - "Hygiene +" design



- Wall-mounted surgical scrub up trough with 450mm upstand.
- Bacteriostatic 304 stainless steel. Stainless steel thickness: 1.2mm.
- Smooth surface and rounded inside edges for easy cleaning.
- "Hygiene +" design: reduces niches where bacteria can develop, concealed trap, easy to clean.
- Drainage on the right. Without overflow. Supplied with fixing elements.
- CE marked. Complies with European standard EN 14296.
- Weight: 20.3kg for the 700mm model; 34.4kg for the 1,400mm model; 48.5kg for the 2,100mm model. 10-year warranty.

For taps see the DELABIE catalogue "Water Controls for Healthcare Facilities and Retirement Homes" (DOC 900INT).



185000/186000/187000

Surgical scrub up trough with high upstand

Without tap holes

Polished satin 304 stainless steel - L. 700mm - 1 service	⌚	185000
Polished satin 304 stainless steel - L. 1,400mm - 2 services	⌚	186000
Polished satin 304 stainless steel - L. 2,100mm - 3 services	⌚	187000

With 1 single tap hole Ø 22 per service

Polished satin 304 stainless steel - L. 700mm - 1 service	⌚	185100
Polished satin 304 stainless steel - L. 1,400mm - 2 services	⌚	186100
Polished satin 304 stainless steel - L. 2,100mm - 3 services	⌚	187100

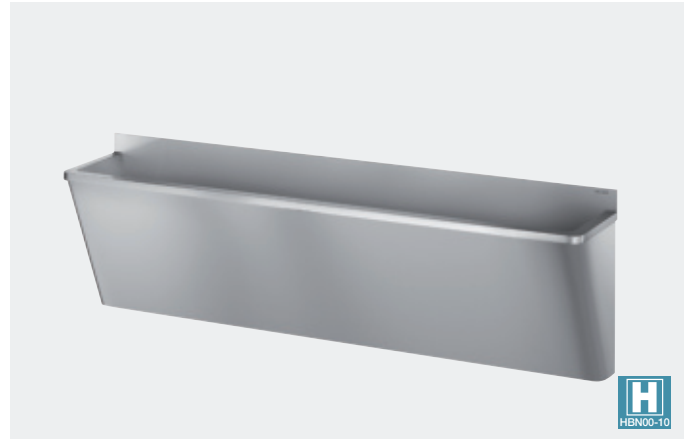
With 1 twin tap hole Ø 22 with 150mm centres per service

Polished satin 304 stainless steel - L. 700mm - 1 service	⌚	185200
Polished satin 304 stainless steel - L. 1,400mm - 2 services	⌚	186200
Polished satin 304 stainless steel - L. 2,100mm - 3 services	⌚	187200

Available on request: other lengths (700mm - 2,400mm)

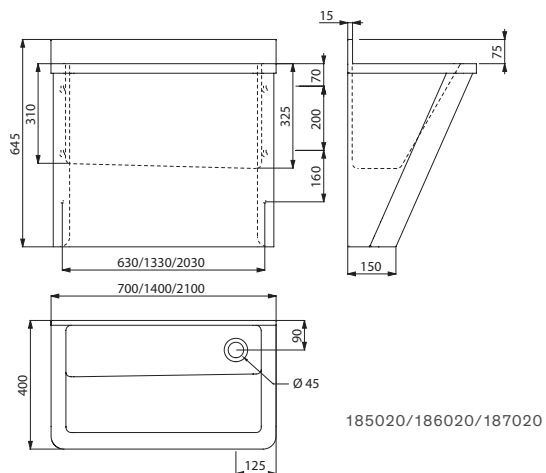
Surgical scrub up trough

Low upstand - "Hygiene +" design



- Wall-mounted surgical scrub up trough with 75mm upstand.
- Complies with the former HTM64 guidance and new Health Building Note 00-10: Part C - Sanitary Assemblies (SU H1, SU H2, SU H3) (Ref. 18502015, 18602015, 18702015).
- Bacteriostatic 304 stainless steel. Stainless steel thickness: 1.2mm.
- Smooth surface and rounded inside edges for easy cleaning.
- "Hygiene +" design: reduces niches where bacteria can develop, concealed trap, easy to clean.
- Drainage on the right. Without overflow. Supplied with fixing elements
- CE marked. Complies with European standard EN 14296.
- Weight: 15.6kg for the 700mm model; 17.2kg for the 800mm model; 26.6kg for the 1,400mm model; 29.8kg for the 1,600mm model; 37.6kg for the 2,100mm model; 42.5kg for the 2,400mm model.
- 10-year warranty.

For taps see the DELABIE catalogue "Water Controls for Healthcare Facilities and Retirement Homes" (DOC 900INT).



185020/186020/187020

Surgical scrub up trough with low upstand - Without tap hole

Polished satin 304 stainless steel - L. 700mm - 1 service	⌚	185020
Polished satin 304 stainless steel - L. 1,400mm - 2 services	⌚	186020
Polished satin 304 stainless steel - L. 2,100mm - 3 services	⌚	187020

Surgical scrub up trough with low upstand - Without tap hole (HTM64)

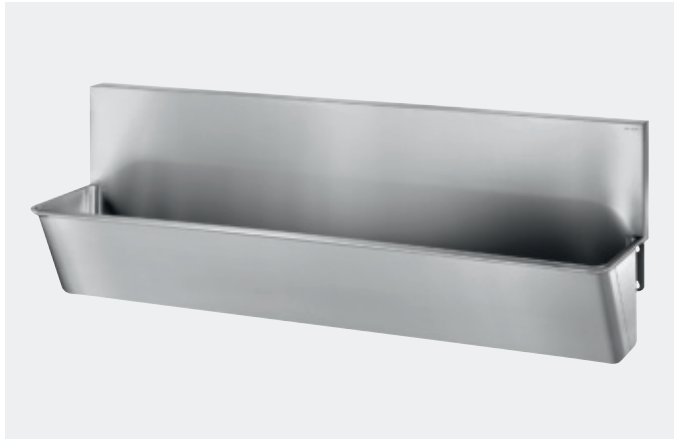
Polished satin 304 stainless steel - L. 800mm - 1 service	⌚	18502015
Polished satin 304 stainless steel - L. 1,600mm - 2 services	⌚	18602015
Polished satin 304 stainless steel - L. 2,400mm - 3 services	⌚	18702015

Available on request: other lengths (700mm - 2,800mm)

⌚ : dispatch within 4 weeks 📦 : stock item

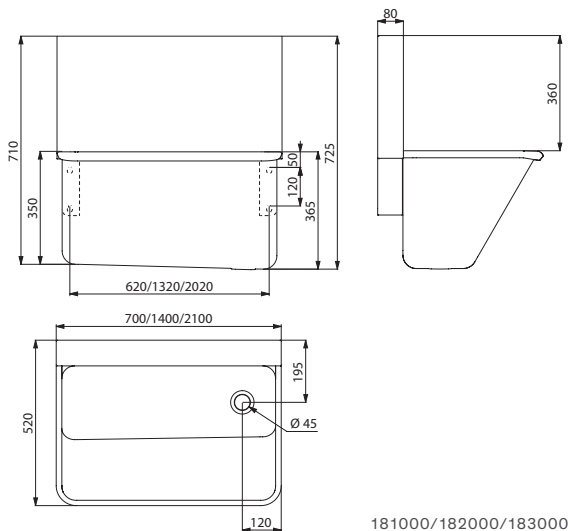
Surgical scrub up trough

High upstand



- Wall-mounted surgical scrub up trough with 360mm upstand.
- Bacteriostatic 304 stainless steel. Stainless steel thickness: 1.2mm.
- Smooth surface and rounded inside edges for easy cleaning.
- Drainage on the right. Without overflow. Supplied with fixing elements.
- CE marked. Complies with European standard EN 14296.
- Weight: 13.8kg for the 700mm model; 24.2kg for the 1,400mm model; 34.9kg for the 2,100mm model.
- 10-year warranty.

For taps see the DELABIE catalogue "Water Controls for Healthcare Facilities and Retirement Homes" (DOC 900INT).



Surgical scrub up trough with high upstand

Without tap holes

Polished satin 304 stainless steel - L. 700mm - 1 service	⌚	181000
Polished satin 304 stainless steel - L. 1,400mm - 2 services	⌚	182000
Polished satin 304 stainless steel - L. 2,100mm - 3 services	⌚	183000

With 1 single tap hole Ø 22mm per service

Polished satin 304 stainless steel - L. 700mm - 1 service	⌚	181100
Polished satin 304 stainless steel - L. 1,400mm - 2 services	⌚	182100
Polished satin 304 stainless steel - L. 2,100mm - 3 services	⌚	183100

With 1 twin tap hole Ø 22mm with 150mm centres per service

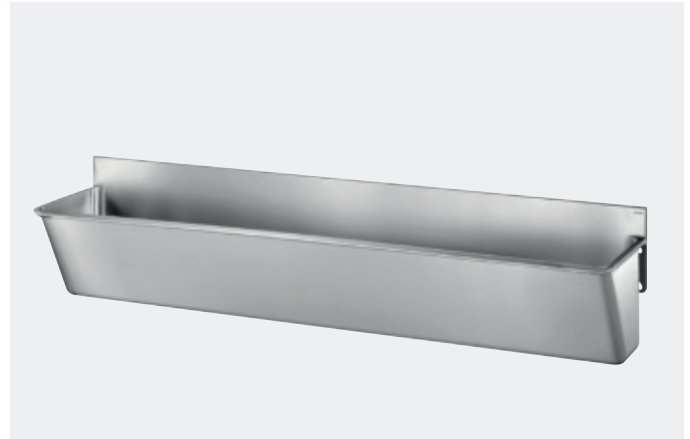
Polished satin 304 stainless steel - L. 700mm - 1 service	⌚	181200
Polished satin 304 stainless steel - L. 1,400mm - 2 services	⌚	182200
Polished satin 304 stainless steel - L. 2,100mm - 3 services	⌚	183200

Available on request: other lengths (700mm - 2,400mm)

⌚ : dispatch within 4 weeks 📦 : stock item

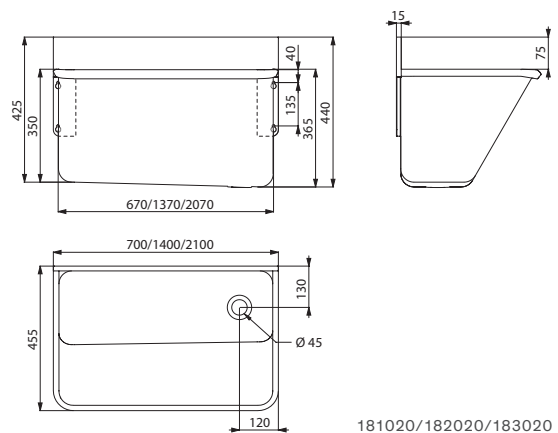
Surgical scrub up trough

Low upstand



- Wall-mounted surgical scrub up trough with 75mm upstand.
- Bacteriostatic 304 stainless steel. Stainless steel thickness: 1.2mm.
- Smooth surface and rounded inside edges for easy cleaning.
- Drainage on the right. Without overflow. Supplied with fixing elements.
- CE marked. Complies with European standard EN 14296.
- Weight: 10.6kg for the 700mm model; 18.8kg for the 1,400mm model; 27kg for the 2,100mm model.
- 10-year warranty.

For taps see the DELABIE catalogue "Water Controls for Healthcare Facilities and Retirement Homes" (DOC 900INT).



Surgical scrub up trough with low upstand - Without tap holes

Polished satin 304 stainless steel - L. 700mm - 1 service	⌚	181020
Polished satin 304 stainless steel - L. 1,400mm - 2 services	⌚	182020
Polished satin 304 stainless steel - L. 2,100mm - 3 services	⌚	183020

Available on request: other lengths (700mm - 2,800mm)

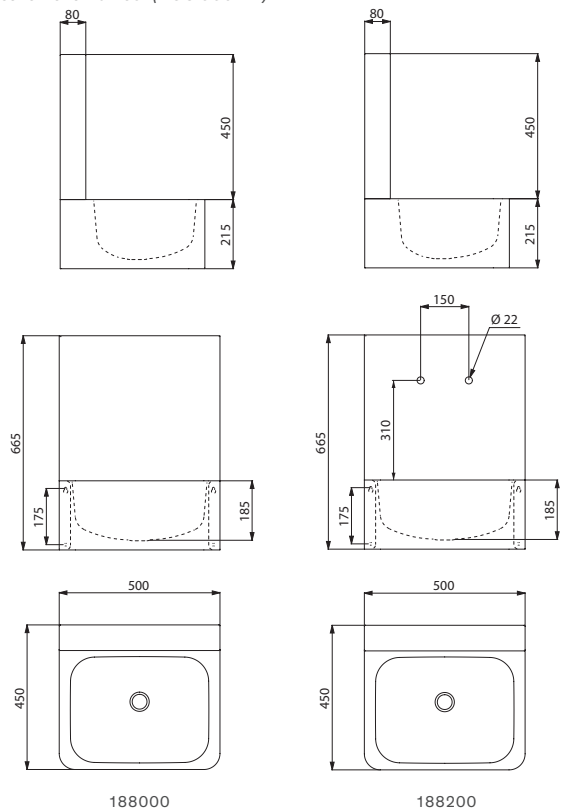
Hygiene hand washbasin

High upstand



- Wall-mounted healthcare washbasin with 450mm upstand.
- Ideal for hospitals, healthcare establishments and medical practices.
- Bacteriostatic 304 stainless steel. Stainless steel thickness: 1.2mm.
- Available with or without tap hole.
- Smooth surface and rounded inside edges for easy cleaning.
- Deep bowl reduces the risk of splashing ensuring a comfortable hand-washing experience.
- Supplied with 1 1/4" waste. Without overflow.
- CE marked. Complies with European standard EN 14688.
- Weight: 10.2kg. 10-year warranty.

For taps see the DELABIE catalogue "Water Controls for Healthcare Facilities and Retirement Homes" (DOC 900INT).



Hygiene hand washbasins - Polished satin 304 stainless steel		
Without tap holes	⌚	188000
With 1 single tap hole Ø 22mm centres	⌚	188100
With 2 single tap hole Ø 22mm with 150mm per service	⌚	188200
With 2 single tap holes Ø 22mm and Ø 30mm one above the other for electronic unit	⌚	188300

⌚ : dispatch within 4 weeks 📦 : stock item



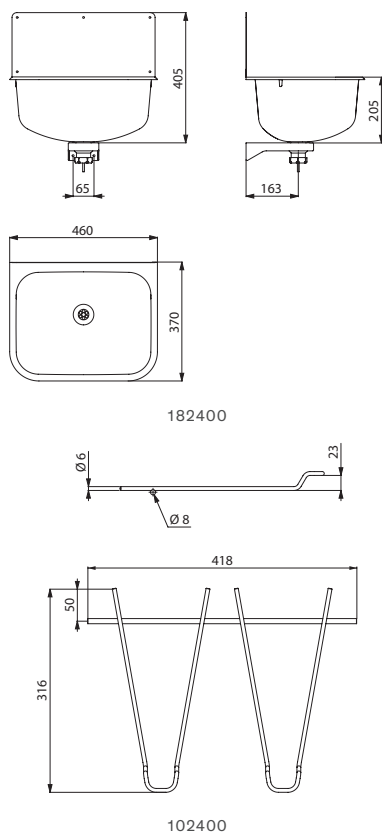
Cleaners' sink with upstand

Wall-mounted




- Wall-mounted cleaners' sink with splashback.
- Bacteriostatic 304 stainless steel. Stainless steel thickness: 0.9mm.
- Seam-free, pressed bowl.
- Deep sink.
- Smooth surface. Rounded edges prevent injury.
- Supplied with 1½" waste. Without overflow.
- Supplied with fixing elements and splashback.
- Option to add a stainless steel hinged, lift-up grid.
- Weight: 4.6kg. 10-year warranty.

For taps see the DELABIE "Water Controls for Healthcare Facilities and Retirement Homes" (DOC 900INT) and "Water Controls for Professional Catering" (DOC 200INT) catalogues.



Wall-mounted cleaners' sink

Polished satin 304 stainless steel		182400
Stainless steel hinged grid for model 182400		102400

 : dispatch within 4 weeks  : stock item

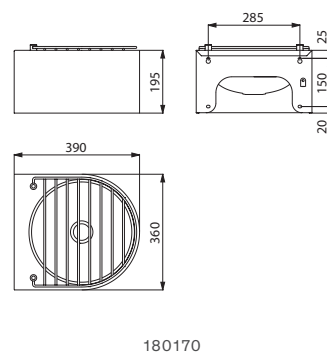
Disposal sink

Wall-mounted




- Wall-mounted disposal sink.
- Bacteriostatic 304 stainless steel.
- Stainless steel thickness: 1.2mm.
- Smooth surface for easy cleaning.
- Hinged stainless steel bucket grid.
- Supplied with 1¼" waste.
- Without overflow.
- Supplied with fixing elements.
- Weight: 5.1kg.
- 10-year warranty.

A wall-mounted tap is recommended: see the DELABIE "Water Controls for Healthcare Facilities and Retirement Homes" (DOC 900INT) and "Water Controls for Professional Catering" (DOC 200INT) catalogues.



Wall-mounted disposal sink

Polished satin 304 stainless steel		180170
------------------------------------	---	---------------

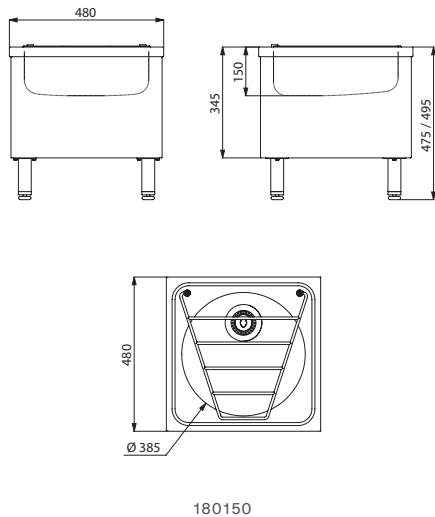
Disposal sink

Floor-standing



- Floor-standing disposal sink.
- Bacteriostatic 304 stainless steel. Stainless steel thickness: 1mm.
- One-piece pressed bowl, seam-free.
- Smooth surface for easy cleaning.
- Adjustable feet height up to 40mm.
- Supplied with 1½" waste. Without overflow.
- Hinged stainless steel bucket grid.
- Weight: 10.6kg.
- 10-year warranty.

A wall-mounted tap is recommended: see the DELABIE "Water Controls for Healthcare Facilities and Retirement Homes" (DOC 900INT) and "Water Controls for Professional Catering" (DOC 200INT) catalogues.



180150

Floor-standing disposal sink
Polished satin 304 stainless steel



180150

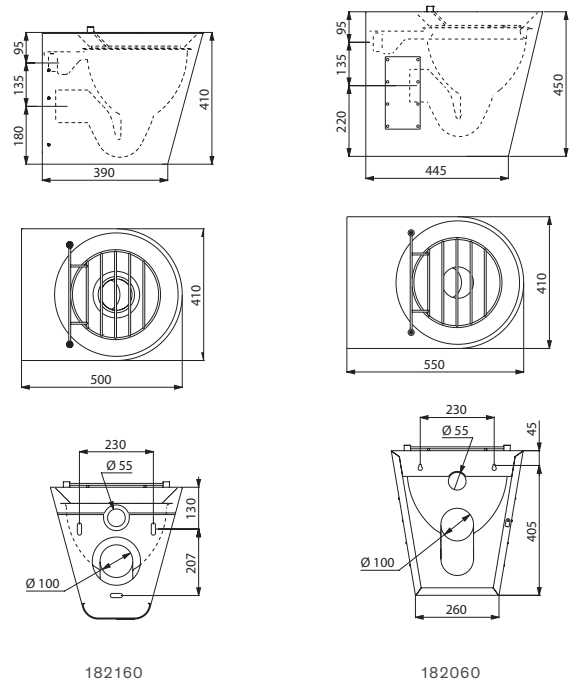
XL S and XL P disposal sink

Wall-mounted or floor-standing



- Wall-mounted or floor-standing disposal sink.
- Bacteriostatic 304 stainless steel. Stainless steel thickness: 1.5mm.
- Smooth surface for easy cleaning.
- Concealed perimetral flushing system.
- Horizontal or vertical water inlet Ø 55mm.
- Horizontal or vertical water outlet Ø 100mm depending on model.
- Concealed drainage: shrouded sink.
- Quick and easy to install: from the front thanks to a stainless steel mounting frame or 2 access panels with theft prevention TORX security screws depending on the model.
- Hinged stainless steel bucket grid.
- Weight: 15kg for wall-mounted model (XL S); 16kg for floor-standing model (XL P). 10-year warranty.

For flush valves see the DELABIE catalogue "Water Controls for Public and Commercial Places" (DOC 609INT).



182160

182060

XL disposal sink - Polished satin 304 stainless steel

Wall-mounted disposal sink (XL S) - Horizontal water inlet		182160
Floor-standing disposal sink (XL P) - Vertical water inlet		182060
Floor-standing disposal sink (XL P) - Horizontal water inlet		182070

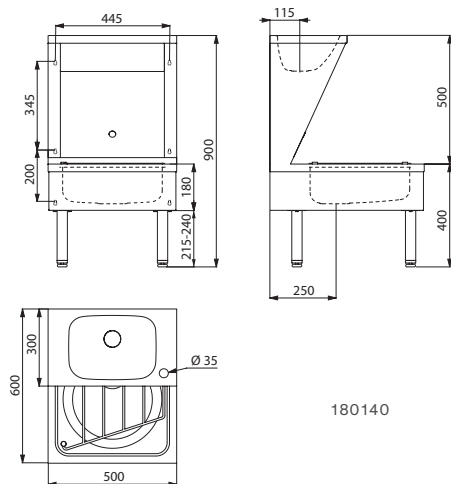
: dispatch within 4 weeks : stock item

Janitorial unit Floor-standing



- Floor-standing janitorial unit.
- Complies with the former HTM64 guidance and new Health Building Note 00-10: Part C - Sanitary Assemblies (JU).
- Bacteriostatic 304 stainless steel. Stainless steel thickness: 1mm.
- Smooth surface for easy cleaning.
- Adjustable feet height up to 25mm. Hinged stainless steel bucket grid.
- Easy to maintain: access panel at the front.
- Supplied with 1¼" waste for the basin and 1½" waste for the disposal sink.
- Without overflow.
- We recommend the WRAS approved mixer: ref. G66452.
- CE marked. Complies with European standard EN 14688.
- Weight: 22kg. 10-year warranty.

A swivelling tap is recommended: see the DELABIE "Water Controls for Healthcare Facilities and Retirement Homes" (DOC 900INT) and "Water Controls for Professional Catering" (DOC 200INT) catalogues.



180140

Floor-standing janitorial unit with right tap hole \varnothing 35mm
Polished satin 304 stainless steel  **180140**

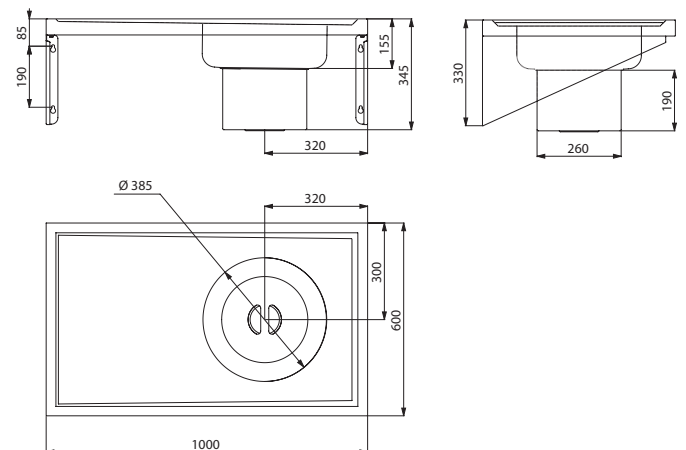
 : dispatch within 4 weeks  : stock item

Plaster sink Wall-mounted



- Wall-mounted plaster sink.
- Complies with the former HTM64 guidance and new Health Building Note 00-10: Part C - Sanitary Assemblies (PS H).
- Bacteriostatic 304 stainless steel.
- Stainless steel thickness: 1.5mm.
- Smooth surface and flat edges for easy cleaning.
- Suitable for hospitals, other healthcare establishments and leisure centres.
- Supplied with removable plaster basket with lid to filter plaster debris.
- Can be installed in 2 ways: bowl on the right or bowl on the left.
- Waste outlet 1½".
- Supplied with fixing elements.
- Weight: 17kg.
- 10-year warranty.

For taps see the DELABIE catalogue "Water Controls for Healthcare Facilities and Retirement Homes" (DOC 900INT).



180130

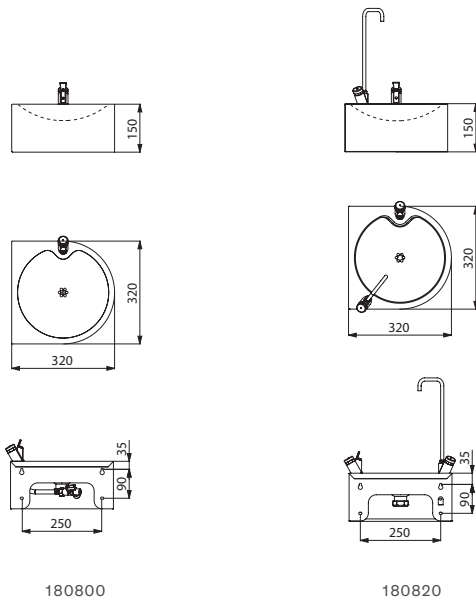
Wall-mounted plaster sink
Polished satin 304 stainless steel  **180130**

SD drinking fountains

Wall-mounted



- Wall-mounted drinking fountain.
- Bacteriostatic 304 stainless steel. Stainless steel thickness: 1.2mm.
- Rounded edges prevent injury.
- Supplied with a WRAS approved bubbler tap: chrome-plated, instant shut-off and adjustable flow rate, inlet M $\frac{3}{8}$.
- Flat perforated waste, without screws: easy to clean and vandal-resistant.
- Model ref. 180820 swan neck spout for filling bottles and flasks: chrome-plated brass body and stainless steel spout, instant shut-off with adjustable flow rate, M $\frac{3}{8}$ " connection.
- Waste outlet 1 $\frac{1}{4}$ ".
- Supplied with fixing elements.
- Weight: 2.4kg for model without swan neck spout; 3kg for model with swan neck spout.
- 10-year warranty.



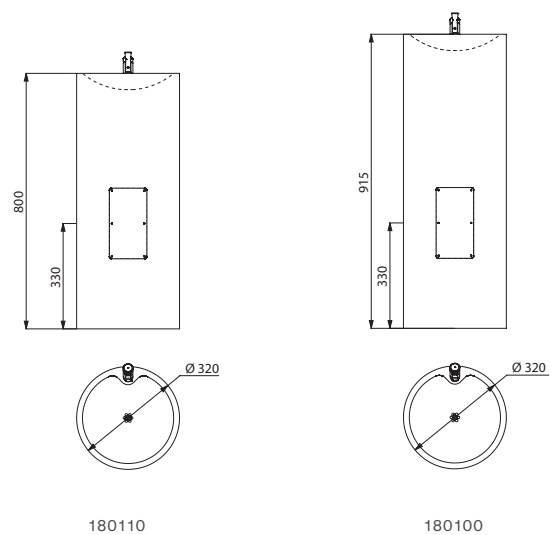
Wall-mounted SD drinking fountains - Polished satin 304 stainless steel		
Integrated bubbler tap		180800
Integrated bubbler tap and swan neck spout tap		180820

ILHA and ILHA JR drinking fountains

Floor-standing



- Floor-standing drinking fountain.
- Bacteriostatic 304 stainless steel. Stainless steel thickness: 0.8mm.
- Available in two different heights: 915mm and 800mm for children.
- Supplied with a WRAS approved bubbler tap: chrome-plated, instant shut-off and adjustable flow rate, inlet M $\frac{3}{8}$ ".
- Flat perforated waste, without screws: easy to clean and vandal-resistant.
- Recessed vertical water outlet. Waste outlet 1 $\frac{1}{4}$ ".
- Weight: 9kg for the 800mm model; 9.6kg for the 915mm model.
- 10-year warranty.



Floor-standing ILHA and ILHA JR drinking fountains with integrated bubbler tap		
Polished satin 304 stainless steel - Height 915mm		180100
Polished satin 304 stainless steel - Height 800mm		180110

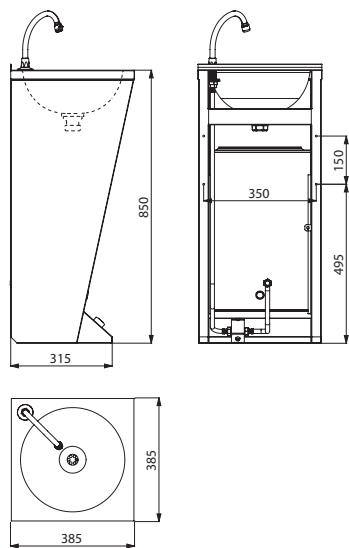
: dispatch within 4 weeks : stock item

SXL hand washbasin

Foot-operated



- Floor-standing, foot-operated hand washbasin.
- Bacteriostatic 304 stainless steel.
- Stainless steel thickness: 0.8mm.
- Supplied with swan neck spout and time flow tap with 7-second time flow.
- Easy to maintain: access panel at the front.
- Supplied with 1¼" waste.
- Without overflow.
- Supplied with fixing elements.
- CE marked. Complies with European standard EN 14688.
- Weight: 10kg.
- 10-year warranty.



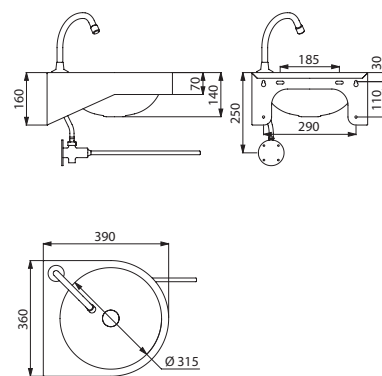
180300

GENOU hand washbasin

Knee-operated



- Wall-mounted, knee-operated hand washbasin.
- Bacteriostatic 304 stainless steel.
- Stainless steel thickness: 1.2mm.
- Rounded edges prevent injury.
- Supplied with swan neck spout and time flow tap with 7-second time flow.
- Supplied with 1¼" waste.
- Without overflow.
- Supplied with fixing elements.
- CE marked. Complies with European standard EN 14688.
- Weight: 5kg.
- 10-year warranty.



180330

Floor-standing SXL hand washbasin with integrated tap
Polished satin 304 stainless steel



180300

🕒 : dispatch within 4 weeks 📦 : stock item

Wall-mounted GENOU hand washbasin
with integrated tap - Polished satin 304 stainless steel



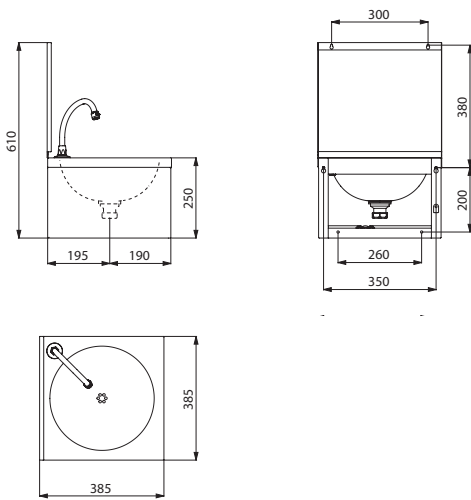
180330

SXS mechanical hand washbasin

Knee-operated



- Wall-mounted, knee-operated hand washbasin.
- Bacteriostatic 304 stainless steel.
- Stainless steel thickness: 0.8mm.
- Rounded edges prevent injury.
- Available with or without splashback.
- Bare model (without tap) or complete model (with tap and pre-mixer).
- Complete model consists of: swan neck spout, soft-touch time flow tap with 7-second time flow and a pre-mixer with non-return valves.
- Flat perforated waste, without screws: easy to clean and vandal-resistant.
- Water savings: flow rate pre-set at 3 lpm.
- Maximum hygiene: no manual contact with tap.
- Without overflow.
- Supplied with fixing elements.
- CE marked. Complies with European standard EN 14688.
- Weight: 4.3kg.
- 10-year warranty.



182320

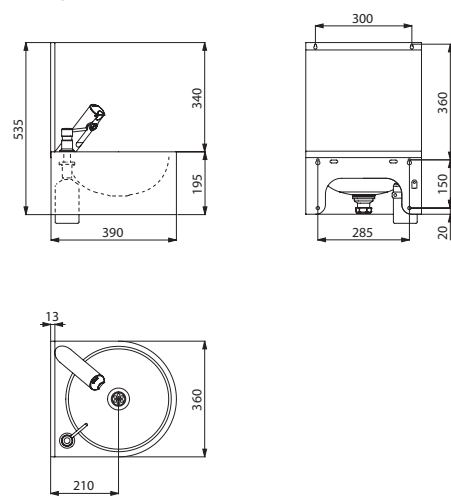
SXS mechanical hand washbasin without tap		
Hand washbasin alone, without splashback		181310
Hand washbasin alone, with splashback		181320
SXS mechanical hand washbasin with tap and pre-mixer		
Complete hand washbasin without splashback		182310
Complete hand washbasin with splashback		182320
Soap dispenser		374001

SXS electronic hand washbasin

Electronic control



- Wall-mounted hand washbasin with electronic control.
- Bacteriostatic 304 stainless steel.
- Stainless steel thickness: 1.2mm.
- Rounded edges prevent injury.
- Available with or without splashback.
- 184310 and 184320 references are supplied with an electronic mixer with integrated battery and solenoid valve and a chrome-plated brass soap or hydroalcoholic gel dispenser.
- 18431015 and 18432015 references are supplied with a WRAS approved electronic tap with integrated battery and solenoid valve, a TMV3 and WRAS approved thermostatic mixing valve and a chrome-plated brass soap or hydroalcoholic gel dispenser.
- Supplied with 1 1/4" waste. Without overflow.
- Water savings: flow rate pre-set at 3 lpm.
- Maximum hygiene: no manual contact with tap, reduced-stagnation solenoid valve, duty flush prevents bacterial development.
- Supplied with fixing elements.
- CE marked. Complies with European standard EN 14688.
- Weight: 4.1kg.
- 10-year warranty.



184320

SXS electronic hand washbasin with tap and soap dispenser		
Complete hand washbasin without splashback		184310
Complete hand washbasin with splashback		184320
SXS electronic hand washbasin with tap and soap dispenser (WRAS)		
Complete hand washbasin without splashback		18431015
Complete hand washbasin with splashback		18432015

: dispatch within 4 weeks : stock item

PROFESSIONAL EQUIPMENT

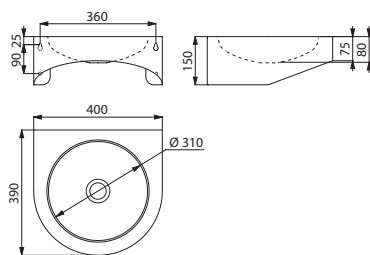
PMR XS hand washbasin

Wall-mounted





- Wall-mounted hand washbasin.
- Basin internal diameter: 310mm.
- Bacteriostatic 304 stainless steel.
- Stainless steel thickness: 1.2mm.
- Rounded edges prevent injury.
- Supplied with 1¼" waste.
- Without overflow.
- Supplied with fixing elements.
- CE marked. Complies with European standard EN 14688.
- Weight: 3.9kg.
- 10-year warranty.

For taps and accessories see the DELABIE "Water Controls for Healthcare Facilities and Retirement Homes" (DOC 900INT) and "Accessibility and Accessories" (DOC 950INT) catalogues.



120400

Wall-mounted PMR XS hand washbasin - Polished satin 304 stainless steel		
Without tap hole		120400
With right tap hole Ø 35mm		123400

 : dispatch within 4 weeks  : stock item

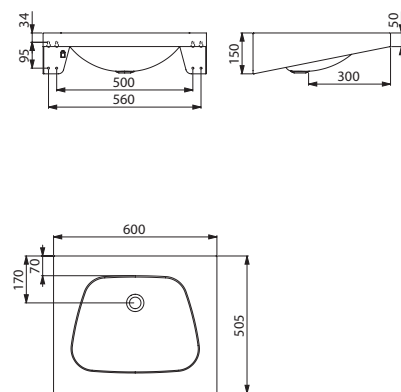
TRAPEZ washbasin

Wall-mounted



- Wall-mounted washbasin, 600 × 505mm.
- Bacteriostatic 304 stainless steel.
- Stainless steel thickness: 1.2mm.
- Rounded edges prevent injury.
- Supplied with 1¼" waste.
- Without overflow.
- Supplied with fixing elements.
- CE marked. Complies with European standard EN 14688.
- Weight: 5.5kg.
- 10-year warranty.

For taps and accessories see the DELABIE "Water Controls for Healthcare Facilities and Retirement Homes" (DOC 900INT) and "Accessibility and Accessories" (DOC 950INT) catalogues.



120270

Wall-mounted TRAPEZ washbasin - Polished satin 304 stainless steel		
Without tap hole		120270
With central tap hole Ø 35mm		121270

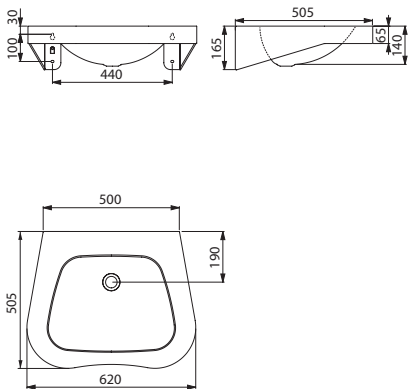
FRAJU PMR washbasin

Wall-mounted



- Wall-mounted washbasin, 620 × 505mm.
- Bacteriostatic 304 stainless steel.
- Stainless steel thickness: 1.2mm for the bowl and 1.5mm for surround.
- Rounded edges prevent injury.
- Supplied with 1¼" waste.
- Without overflow.
- Supplied with fixing elements.
- CE marked. Complies with European standard EN 14688.
- Weight: 5kg.
- 10-year warranty.

For taps and accessories see the DELABIE "Water Controls for Healthcare Facilities and Retirement Homes" (DOC 900INT) and "Accessibility and Accessories" (DOC 950INT) catalogues.



120440

Wall-mounted FRAJU PMR washbasin - Polished satin 304 stainless steel

Without tap hole		120440
With central tap hole Ø 35mm		121440

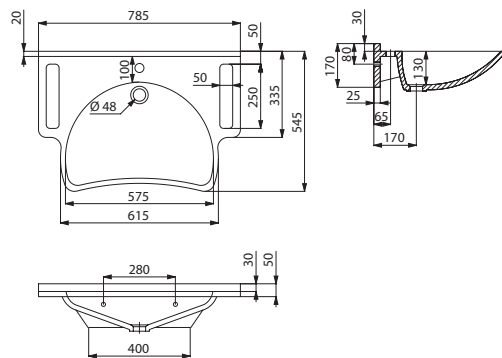
MINERALCAST PMR washbasin

Wall-mounted



- Wall-mounted washbasin, 785 × 545 × 170mm.
- With integral side grips which can be used as a support or a towel holder.
- MINERALCAST: composite material consisting of natural minerals and polyester resin.
- Shallow washbasin.
- Uniform, non-porous surface is easy to clean.
- One-piece cast washbasin, seam-free, for easy maintenance and better hygiene.
- Warm to the touch.
- Without overflow.
- Supplied with fixing elements.
- White, RAL 9016.
- CE marked. Complies with European standard EN 14688.
- Weight: 21.5kg.
- 10-year warranty.

For taps and accessories see the DELABIE "Water Controls for Healthcare Facilities and Retirement Homes" (DOC 900INT) and "Accessibility and Accessories" (DOC 950INT) catalogues.



132306

Wall-mounted MINERALCAST PMR washbasin with central tap hole Ø 35mm		132306
--	--	---------------

: dispatch within 4 weeks : stock item

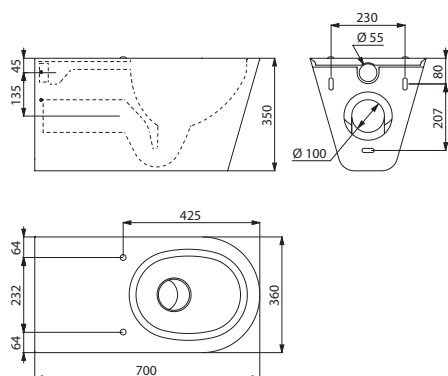
700 S, 700 P and 700 S TC WC pans

Wall-hung or floor-standing



- 700mm elongated pan for improved comfort.
- WC wall-hung model (700 S); floor-standing model (700 P) and WC wall-hung model for cross wall installation in service ducts (700 S TC).
- Bacteriostatic 304 stainless steel. Stainless steel thickness: 1.5mm.
- One-piece pressed WC bowl, seam-free for easy maintenance and better hygiene.
- WC bowl surface is polished with rounded edges for easy cleaning.
- Concealed perimetral flushing rim.
- Horizontal water inlet: Ø 55mm.
- Horizontal waste outlet: Ø 100mm.
- Water saving: works with 4L or more of water.
- CE marked. Complies with European standard EN 997 for 4L flush.
- Weight: 14.5kg for the 700 S model; 15kg for the 700 P model; 16.5kg for the 700 S TC model.
- 10-year warranty.

For flush valves and accessories see the DELABIE "Water Controls for Public and Commercial Places" (DOC 609INT) and "Accessibility and Accessories" (DOC 950INT) catalogues.



110710

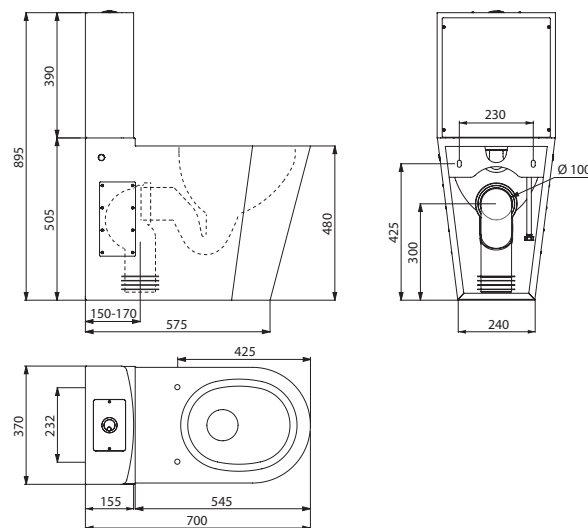
MONOBLOCO 700 PMR WC pan

With cistern








- Floor-standing WC pan with dual flush cistern 3L/6L.
- 700mm elongated pan for improved comfort.
- Bacteriostatic 304 stainless steel. Stainless steel thickness: 1.5mm.
- One-piece pressed WC bowl, seam-free for better hygiene.
- WC bowl surface is polished with rounded edges for easy cleaning.
- Concealed perimetral flushing rim. Water supply can be recessed from below or exposed from the side (right/left).
- Recessed horizontal or vertical waste outlet. Supplied with PVC pipe.
- Pre-drilled holes for fixing the toilet seat. Supplied with stainless steel blanking caps when installed without toilet seat.
- Quick to install: 2 access panels with theft prevention TORX security screws.
- CE marked. Complies with European standard EN 997 for 4L flush.
- Weight: 22kg.
- 10-year warranty.

For accessories see the DELABIE "Accessibility and Accessories" catalogue (DOC 950INT).



110790

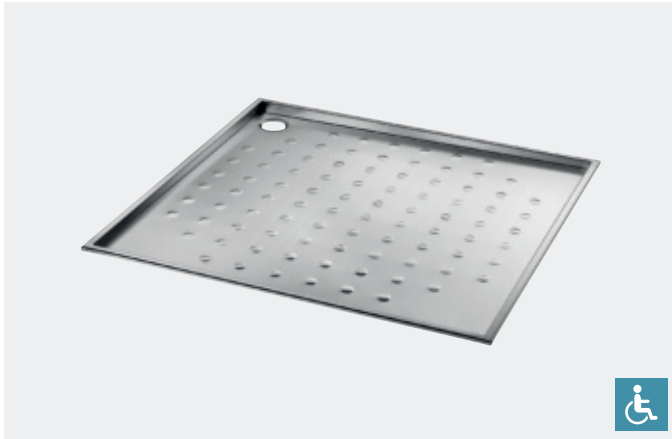
WC pan for people with reduced mobility - 700mm	
Polished satin 304 stainless steel	
Wall-hung WC pan (700 S)	 110710
Floor-standing WC pan (700 P)	 110700
Wall-hung WC pan for installation in service duct (700 S TC)	 160710

 : dispatch within 4 weeks  : stock item

MONOBLOCO 700 PMR WC pan Polished satin 304 stainless steel - With cistern	 110790
--	---

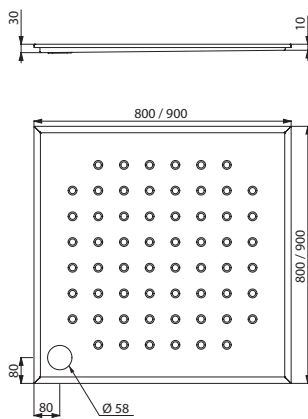
PMR shower tray

Recessed



- Slimline shower tray for recessed installation.
- Bacteriostatic 304 stainless steel.
- Stainless steel thickness: 1.5mm.
- Drainage slope.
- Supplied with 1½" waste.
- Non-slip surface.
- CE marked. Complies with European standard EN 14527.
- Weight: 8.5kg for the 800 × 800mm model;
9.5kg for the 900 × 900mm model.
- 10-year warranty.

For shower controls and accessories see the DELABIE "Water Controls for Healthcare Facilities and Retirement Homes" (DOC 900INT) and "Accessibility and Accessories" (DOC 950INT) catalogues.



150500/150600

Recessed PMR shower tray - Polished satin 304 stainless steel		
800 × 800 - Depth 30mm		150500
900 × 900 - Depth 30mm		150600

: dispatch within 4 weeks : stock item

Certification Advice Reference index

SOLUTIONS FOR COMMERCIAL PLACES
INSPIRATION
96

SANITARY APPLIANCES
CERTIFICATION
104

MAINTENANCE
ADVICE
104

INSTALLATION
ADVICE
105

REFERENCE INDEX
106





THE DAYS OF SMELLY LATRINES AND REPULSIVE SANITARY FACILITIES ARE GONE!

Users' needs have changed. Even if cleanliness is fundamental, comfort and aesthetics also play an important role in upholding the facility manager's or owner's image.

Stainless steel is a prestigious, high quality material, shown at its best in the design of DELABIE's sanitary ware. A toilet, hand washbasin or urinal made from DELABIE's stainless steel have become key architectural elements for sanitary facilities.





THE FIGHT AGAINST VOLUNTARY OR INVOLUNTARY VANDALISM

Stainless steel is a highly resistant and durable material.

DELABIE's stainless steel sanitary ware will withstand heavy loads, abrasions, scratches and chemical products.

In areas requiring secure installations (e.g. prisons), cross wall options are ideal since the components and fixing elements cannot be accessed by the user.





ENVIRONMENTALLY FRIENDLY

Stainless steel is 100% recyclable, contributing to sustainable development and protecting the environment. DELABIE's stainless steel sanitary ware contains 60% recycled stainless steel.

DELABIE's stainless steel sanitary ware requires less energy to manufacture due to the use of advanced technologies (cold pressing, TIG and laser welding).

Lighter than ceramic, their transportation consumes fewer resources.







STAINLESS STEEL, ESSENTIAL FOR HYGIENE

The aseptic qualities of stainless steel have been regularly proven. Stainless steel is bacteriostatic: bacterial retention after cleaning is extremely low, up to 20 times less than for other materials such as glass or plastic.

A thin, invisible protective layer forms continuously when in contact with air or water. If the surface is damaged mechanically, the stainless steel is protected against corrosion.

Particular attention has been paid to designing sanitary ware with limited assembly and reduced numbers of seams to avoid dirt deposits and bacterial niches, and therefore to facilitate cleaning.







SANITARY APPLIANCES CERTIFICATION



What is the CE mark?

The CE mark is a mandatory European marking for all products subject to one or more European Directives. It indicates that the products comply with the essential requirements regarding safety, public health and consumer protection. It gives the products concerned the right of free movement throughout the European Union.

In order to mark its products with the CE mark, a manufacturer must carry out, or have carried out on its behalf, checks and tests which ensure that the product complies with the essential requirements set out in the relevant Directives.

Which sanitary appliances carry the CE mark?

European Standard	Product family
EN 14688	Washbasins
EN 14296	Communal wash troughs and surgical scrub-up troughs
EN 997	WC pans and close coupled WCs with an integral trap
EN 13407	Wall-hung urinals
EN 14527	Shower trays

How do you recognise a CE marked product?

The CE mark is normally displayed on the product or, if not, on the packaging or accompanying documents.

The manufacturer must draw up a CE declaration of conformity (declaration of performance).

In the document the manufacturer states that the product complies with the "essential health and safety requirements" that apply to the product and for which the manufacturer assumes responsibility.

All the CE declarations of conformity (declarations of performance) are available online at www.delabie.com.

What does the CE mark provide for sanitary appliances?

The CE mark guarantees the performance and safety of sanitary appliances for normal use, in particular in terms of hygiene, efficiency and reliability.

The main elements tested, depending on the type of sanitary appliance, are:

- resistance to loads (150kg for washbasins, 400kg for WCs, 100kg for urinals);
- the evacuation of water with no stagnation (washbasins, shower trays);
- resistance to water temperature variations;
- resistance to chemical products and cleaning products (acetic acid, sodium hydroxide, ethanol, sodium hypochlorite, methylene blue, sodium chloride);
- resistance to scratching and abrasion;
- ease of cleaning;
- optimal pan rinsing (WCs and urinals);
- the effective evacuation of residues for WCs (tests with toilet paper and plastic balls);
- no splashing, or splashing outside the toilet bowl (WCs, urinals).

MAINTENANCE ADVICE



Stainless steel is easy to clean and is very durable over the long term.

When stainless steel comes into contact with certain chemical substances or with inappropriate cleaning agents, there is a possible risk of staining or discolouration.

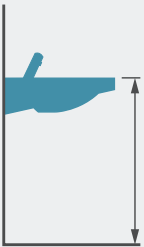
In order to guarantee the stainless steel's properties against corrosion, it is essential to always keep the surface clean.

For everyday cleaning, we recommend following the instructions below:

- use mild soapy water;
- rinse thoroughly with clean water;
- dry with a soft and clean cloth.

Never use abrasive products, scouring powder, bleaching products such as bleach or any other chlorine, acid or alcohol-based products. If the product comes into contact with any of these, rinse thoroughly with clean water.

RECOMMENDED INSTALLATION HEIGHTS (mm)

	Height	Standard installation height	Installation height for PRM*	Installation height for children
Hand washbasins*		800	850	X
Washbasins		850 to 900	800 to 850	550 to 700
Wall-hung WC pans		400 to 430	450 to 500	350 to 390
Urinals		650 to 710	Install urinals at different heights	400 to 500

* **Hand washbasins:** washbasins less than 530mm in width, designed only for hand washing (source: European standard EN 14688).

* **PRM:** People with reduced mobility = People that experience trouble moving around, either temporarily or permanently. For example: the sensory impaired and people suffering from a mental illness, people in wheelchairs, people missing limbs, people of short stature, the elderly, pregnant women, people carrying heavy luggage and people with children (including children in pushchairs).

For more information on the installation of sanitary areas for people with reduced mobility please consult the Space guide found in the DELABIE "Accessibility and Accessories" catalogue (DOC 950INT).

DELABIE / Reference index

REF.	DESCRIPTION	P.	REF.	DESCRIPTION	P.
100209	2 x Bumper for CANAL wash trough	37	120400	PMR XS basin vert waste no tap hole 304 satin stainless steel	28/90
100240	Splashback L.600 H.300 304 stainless steel satin finish	37	120430	FRAJU basin no tap hole no overflow 304 st steel satin	29
100250	Splashback L.1200 H.300 304 stainless steel satin finish	37	120440	FRAJU PMR basin no tap hole no overflow 304 st steel satin	29/91
100260	Splashback L.1400 H.300 304 stainless steel satin finish	37	120470	HEMI inset basin Ø310 304 satin stainless steel w/o overflow	17
100280	Splashback L.1800 H.300 304 stainless steel satin finish	37	120471	HEMI inset basin Ø310 304 bright pol st steel w/o overflow	17
100300	Splashback L.2400 H.300 304 stainless steel satin finish	37	120490	HEMI inset basin Ø385 304 satin stainless steel w/o overflow	17
100310	Splashback L.3000 H.300 304 stainless steel satin finish	37	120490BK	HEMI inset basin Ø385 matte black st steel w/o overflow	5
100509	Replaced by 101309	-	120491	HEMI inset basin Ø385 304 bright pol st steel w/o overflow	17
100569	Inlet socket union for squat WC Ø55	71	120550	MINIMAL basin no tap hole 304 satin st steel w/o overflow	25
100590	LISO urinal divider 304 stainless steel satin	55	120650	QUADRA basin no tap hole 304 satin st steel without overflow	17
100600	LISO XL urinal divider 304 stainless steel satin	55	120650BK	QUADRA basin no tap hole matte black st steel w/o overflow	5
100610	TU urinal divider 304 stainless steel satin	54	120652	QUADRA counter top basin no taphole 304 SS satin ext pol int	17
100620	AZA urinal divider 304 stainless steel satin	55	120710	REDO basin no tap hole 304 satin stainless steel w/o overflow	24
100620BK	AZA urinal divider matte black stainless steel	13	120720	REDO-T basin no tap hole 304 satin st steel w/o overflow	21
100900	Divider for wall mtd multi urinal 304 stainless steel satin	58	120750	TRIPLO RP 3 basins no tap hole 304 satin st steel w/o overflow	33
100930	Trap cover for FRAJU washbasin	29	120800	FACIL basin no tap hole 304 satin stainless steel w/o overflow	24
101309	Silicone membrane for HYBRIMATIC and waterless urinals	54	120810	UNITO counter top basin no tap hole no overflow 304 sat SS	19
101429	Replaced by 102419	-	120810BK	UNITO counter top basin no tap hole no o/flow matte black SS	7
101619	WC seat no lid S21/700 black polyethylene	47	120830	UNITO wall mtd basin no tap hole no overflow 304 satin SS	23
101829	Replaced by 102819	-	121130	BOB wall mtd basin right tap hole Ø35 304 st steel sat	25
102029	Discontinued	-	121150	AQUEDUTO wall mtd basin centre hole Ø35 304 st steel satin	23
102400	Hinged stainless steel grid for ref 182400	84	121150BK	AQUEDUTO wall mtd basin centre hole Ø35 matte black st steel	9
102419	Slim WC seat with lid BCN black Duroplast	47	121170	BAILA basin Ø35 ctr tap hole 304 satin st. steel w/o overflow	21
102629	Discontinued	-	121180	MINI BAILA basin Ø35 ctr taphole 304 satin st st no overflow	27
102819	Slim WC seat with lid S21 black Duroplast	47	121180BK	MINI BAILA basin Ø35 ctr tap hole no o/flow matte black SS	9
102839	Slim WC seat with lid S21 grey Duroplast	47	121240	CANAL trough L600 Ø22 tap hole right waste 304 satin st steel	-
110100	BCN P floor standing WC horizontal inlet 304 st steel satin	45	121250	CANAL trough L1200 2 Ø22 tap holes right waste 304 satin st st	36
110110	BCN S wall mtd WC horizontal inlet 304 stainless steel satin	43	121260	CANAL trough L1400 2 Ø22 tap holes right waste 304 satin st st	-
110112	Wall-hung BCN S WC pan horiz inlet 304 SS satin ext pol int	43	121270	TRAPEZ basin Ø35 ctr tap hole 304 satin st. steel w/o overflow	28/90
110300	S21 P floor standing WC horizontal inlet 304 st steel satin	44	121280	CANAL trough L1800 3 Ø22 tap holes right waste 304 satin st st	36
110300BK	S21 P floor standing WC horizontal inlet matte black st st	11	121300	CANAL trough L2400 4 Ø22 tap holes right waste 304 satin st st	36
110310	S21 S wall mtd WC horizontal inlet 304 stainless steel satin	41	121310	CANAL trough L3000 5 Ø22 tap holes right waste 304 satin st st	-
110310BK	S21 S wall mtd WC horizontal inlet matte black st steel	11	121360	LAVANDO basin Ø35 left tap hole 304 satin st steel w/o overflow	27
110310PAD	S21 S wall mtd WC 304 SS satin + 2 x Black protective pads	41	121370	LAVANDO basin Ø35 right tap hole 304 satin st steel w/o overflow	27
110390	MONOBLOCO S21 WC 304 stainless steel satin with cistern	46	121390	DUPLO RP twin basin Ø35 tap hole 304 sat st steel w/o overflow	33
110390BK	MONOBLOCO S21 WC matte black stainless steel with cistern	11	121430	FRAJU basin Ø35 ctr tap hole 304 satin st. steel w/o overflow	29
110700	700 P floor standing WC horizontal inlet 304 st steel satin	44/92	121440	FRAJU PMR basin tap hole Ø35 no overflow 304 st steel satin	29/91
110710	700 S wall mtd WC horizontal inlet 304 stainless steel satin	41/92	121550	MINIMAL basin Ø35 ctr tap hole 304 satin st steel w/o overflow	25
110710BK	700 S wall mtd WC horizontal inlet matte black st steel	11	121710	REDO basin Ø35 ctr tap hole 304 satin st. steel w/o overflow	24
110790	MONOBLOCO 700 PMR WC 304 stainless steel satin with cistern	46/92	121720	REDO-T basin Ø35 ctr tap hole 304 satin st steel w/o overflow	21
111300	S21 P floor standing WC vertical inlet 304 satin st steel	-	121750	TRIPLO RP 3 basins Ø35 tap hole 304 sat st steel w/o overflow	33
111700	700 P floor standing WC vertical inlet 304 satin st steel	-	121800	FACIL basin Ø35 right tap hole 304 satin st steel w/o overflow	24
112518	Discontinued	-	121810	UNITO counter top basin Ø35 ctr hole no overflow 304 sat SS	19
113610	Squat WC SHA 700 1 spreader no siphon Ø1" 304 st steel satin	71	121810BK	UNITO ctr top basin Ø35 ctr hole no o/flow matte black SS	7
113620	Squat WC SHA 700 1 spreader w. siphon Ø1" 304 st steel satin	71	121830	UNITO wall mtd basin Ø35 ctr tap hole no o/flow 304 satin SS	23
113710	Squat WC SHA XS 1 spreader no siphon 304 st steel satin	71	121830BK	UNITO wallmtd basin Ø35 ctr tap hole no o/flow matte black SS	7
113720	Squat WC SHA XS 1 spreader with siphon 304 st steel satin	71	122240	CANAL trough L600 no tap hole left waste 304 satin st steel	-
120110	ALGUI counter top basin no tap hole 304 st steel satin	19	122250	CANAL trough L1200 no tap hole left waste 304 satin st steel	36
120110BK	ALGUI counter top basin no tap hole matte black st steel	7	122260	CANAL trough L1400 no tap hole left waste 304 satin st steel	-
120112	ALGUI counter top basin no tap hole 304 SS satin ext pol int	19	122280	CANAL trough L1800 no tap hole left waste 304 satin st steel	36
120130	BOB wall mtd basin no tap hole 304 st steel satin	25	122300	CANAL trough L2400 no tap hole left waste 304 satin st steel	-
120150	AQUEDUTO wall mtd basin no tap hole 304 st steel satin	23	122310	CANAL trough L3000 no tap hole left waste 304 satin st steel	-
120170	BAILA basin no tap hole 304 satin stainless steel w/o overflow	21	122650	QUADRA basin Ø35 left tap hole 304 satin st steel w/o overflow	-
120172	BAILA basin no tap hole 304 st steel satin exterior pol int	21	122800	FACIL basin Ø35 left tap hole 304 satin st steel w/o overflow	-
120180	MINI BAILA basin no tap hole 304 satin st steel w/o overflow	27	123240	CANAL trough L600 Ø22 tap hole left waste 304 satin st steel	-
120182	MINI BAILA basin no tap hole 304 st steel satin ext pol int	27	123250	CANAL trough L1200 2 Ø22 tap holes left waste 304 satin st st	-
120240	CANAL trough L600 no tap hole right waste 304 satin st steel	36	123260	CANAL trough L1400 2 Ø22 tap holes left waste 304 satin st st	-
120250	CANAL trough L1200 no tap hole right waste 304 satin st steel	36	123280	CANAL trough L1800 3 Ø22 tap holes left waste 304 satin st st	-
120260	CANAL trough L1400 no tap hole right waste 304 satin st steel	36	123300	CANAL trough L2400 4 Ø22 tap holes left waste 304 satin st st	-
120270	TRAPEZ basin no tap hole 304 satin st. steel w/o overflow	28/90	123310	CANAL trough L3000 5 Ø22 tap holes left waste 304 satin st st	-
120280	CANAL trough L1800 no tap hole right waste 304 satin st steel	36	123400	PMR XS basin vert waste Ø35 right tap hole 304 satin st steel	28/90
120300	CANAL trough L2400 no tap hole right waste 304 satin st steel	36	123650	QUADRA basin Ø35 right tap hole 304 satin st st w/o overflow	-
120310	CANAL trough L3000 no tap hole right waste 304 satin st steel	36	124170	BAILA basin no tap hole 304 satin stainless steel w/ overflow	-
120390	DUPLO RP twin basin no tap hole 304 sat st steel w/o overflow	33	124270	TRAPEZ basin no tap hole 304 satin stainless steel w/ overflow	-

References prefixed by * are available while stocks last. References are listed in ascending alphanumerical order.

REF.	DESCRIPTION	P.	REF.	DESCRIPTION	P.
124390	Replaced by 120390	-	160700	Combi KOMPACT basin WC floor std left 304 st steel satin	75
124430	FRAJU basin no tap hole 304 satin stainless steel w/ overflow	-	160710	700 S TC wall mounted WC horizontal inlet 304 st steel satin	70/92
124440	FRAJU PMR basin no tap hole 304 satin st steel with overflow	-	160770	DELTA TC wall mtd urinal back inlet 304 st steel satin	76
124470	HEMI inset basin Ø310 304 satin stainless steel with overflow	-	160800	Combi KOMPACT basin WC floor std centre 304 st steel satin	75
124471	HEMI inset basin Ø310 304 bright pol st steel with overflow	-	161340	TEK wall mtd basin with integrated tap 304 st steel satin	69
124490	HEMI inset basin Ø385 304 satin stainless steel with overflow	-	161360	TEK HW/CW wall mtd basin with integ. tap 304 st steel satin	69
124491	HEMI inset basin Ø385 304 bright pol st steel with overflow	-	161440	TEK wall mtd basin + integ electronic tap 304 st steel satin	69
124550	MINIMAL basin no tap hole 304 satin st steel with overflow	-	161600	KOMPACT HW/CW Combi basin WC free stndg right 304 st st sat	75
124650	QUADRA basin no tap hole 304 satin st steel with overflow	-	161700	KOMPACT HW/CW Combi basin WC free stndg left 304 st st sat	75
124710	REDO basin no tap hole 304 satin stainless steel with overflow	-	161800	KOMPACT HW/CW Combi basin WC free std centre 304 st st sat	75
124720	REDO-T basin no tap hole 304 satin st steel with overflow	-	162300	Combi KOMPACT with cistern WC wall mtd right 304 sat st st	74
124750	Replaced by 120750	-	162400	Combi KOMPACT with cistern WC wall mtd left 304 sat st steel	74
124800	FACIL basin no tap hole 304 satin stainless steel w/ overflow	-	162500	Combi KOMPACT with cistern WC wall mtd ctr 304 sat st steel	74
125170	BAILA basin Ø35 ctr tap hole 304 satin st. steel with overflow	-	162600	Combi KOMPACT cistern WC floor std right 304 sat st steel	74
125270	TRAPEZ basin Ø35 ctr tap hole 304 satin st. steel w/ overflow	-	162700	Combi KOMPACT cistern WC floor std left 304 sat st steel	74
125390	Replaced by 121390	-	162800	Combi KOMPACT cistern WC floor std centre 304 sat st steel	74
125430	FRAJU basin Ø35 ctr tap hole 304 satin st steel w/ overflow	-	164130	BOB HD wall mtd basin no tap hole 304 satin stainless steel	66
125440	FRAJU PMR basin Ø35 tap hole 304 satin st steel with overflow	-	164770	DELTA HD wall mtd urinal back inlet 304 st steel satin	76
125550	MINIMAL basin Ø35 ctr tap hole 304 satin st steel w/ overflow	-	166300	Combi KOMPACT TC basin WC wall mtd right 304 st steel satin	73
125710	REDO basin Ø35 ctr tap hole 304 satin st steel w/ overflow	-	166400	Combi KOMPACT TC basin WC wall mtd left 304 st steel satin	73
125720	REDO-T basin Ø35 ctr tap hole 304 satin st steel w/ overflow	-	166500	Combi KOMPACT TC basin WC wall mtd centre 304 st steel satin	73
125750	Replaced by 121750	-	166600	Combi KOMPACT TC basin WC floor std right 304 st steel satin	73
126650	QUADRA basin Ø35 left tap hole 304 satin st steel w/ overflow	-	166700	Combi KOMPACT TC basin WC floor std left 304 st steel satin	73
126800	FACIL basin Ø35 left tap hole 304 satin st steel w/ overflow	-	166800	Combi KOMPACT TC basin WC floor std centre 304 st steel sat	73
127650	QUADRA basin Ø35 right tap hole 304 satin st steel w/ overflow	-	180100	ILHA free standing water fountain H915 304 st steel satin	87
127800	FACIL basin Ø35 right tap hole 304 satin st steel w/ overflow	-	180110	ILHA JR free std water fountain H800 304 st steel satin	87
130100	L wall mtd multi urinal L1200 top inlet 304 st steel satin	58	180130	Hospital plaster sink wall mounted 304 stainless steel satin	86
130110	L wall mtd multi urinal L1800 top inlet 304 st steel satin	58	180140	Floor standing combi basin sink 304 stainless steel satin	86
130120	L wall mtd multi urinal L.2400 top inlet 304 st steel satin	58	180150	Floor standing cleaners sink 304 stainless steel satin	85
130200	L recessed urinal L600 back inlet 304 st steel sat	56/77	180170	Wall mounted cleaners sink 304 stainless steel satin	84
130210	L recessed multi urinal L1200 back inlet 304 st steel satin	56/77	180300	SXL hand wash free standing right hole Ø22 304 st steel sat	88
130220	L recessed multi urinal L1800 back inlet 304 st steel satin	56/77	180330	GENOU wall mtd hand wash right tap hole Ø22 304 st steel sat	88
130300	LP free standing urinal L600 back inlet 304 st steel satin	57	180800	SD wall mounted water fountain 304 stainless steel satin	87
130310	LP free standing urinal L.1200 rear inlet 304 st steel satin	57	180820	SD water fountain with swan neck tap 304 st steel satin	87
130320	LP free standing urinal L.1800 rear inlet 304 st steel satin	57	181000	Surgical scrub trough high upstand L.700 304 st steel satin	82
132306	MINERALCAST PMR wall mounted basin L.785 Ø35 centre hole	31/91	181020	Surgical scrub trough low upstand L.700 304 st steel satin	82
133788	Discontinued	-	181100	Surgical scrub trough L700 1 tap hole Ø22 304 st steel satin	82
133888	Discontinued	-	181200	Surgical scrub L.700 2 tap holes Ø22 c-c 150 304 st st satin	82
134118	Discontinued	-	181310	SXS hand washbasin w/o tap 304 satin st steel	89
134170	DELTA wall mtd urinal top inlet 304 stainless steel satin	53	181320	SXS hand washbasin w/o tap with upstand 304 satin st steel	89
134710	DELTA urinal top inlet vertical waste 304 st steel satin	53	182000	Surgical scrub trough high upstand L.1400 304 st steel satin	82
134718	Discontinued	-	182020	Surgical scrub trough low upstand L.1400 304 st steel satin	82
134770	DELTA wall mtd urinal back inlet 304 stainless steel satin	53	182060	XL P floor std disposal sink horiz inlet 304 st steel satin	85
134772	DELTA urinal rear inlet 304 st steel satin exterior pol int	53	182070	XL P floor std disposal sink vert inlet 304 st steel satin	85
135010	FINO WF wall mounted water free urinal 304 st steel satin	54	182100	Surgical scrub L.1400 2 tap holes Ø22 304 st steel satin	82
135110	FINO wall mtd urinal top inlet 304 stainless steel satin	51	182160	XL S wall mtd disposal sink horiz inlet 304 st steel satin	85
135710	FINO wall mtd urinal back inlet 304 stainless steel satin	51	182200	Surgical scrub L.1400 4 tap holes Ø22 c-c150 304 st st satin	82
135710BK	FINO wall mtd urinal back inlet matte black stainless steel	13	182310	SXS hand washbasin mechanical complete 304 satin st steel	89
150100	700x700 shower tray depth 60mm 304 stainless steel satin	62	182320	SXS washbasin mechanical complete with upstand 304 satin st steel	89
150300	800x800 shower tray depth 60mm 304 stainless steel satin	62	182400	Wall mtd sink with splashback 304 pol satin stainless steel	84
150500	PMR 800x800 shower tray depth 30mm 304 stainless steel satin	63/93	183000	Surgical scrub trough high upstand L.2100 304 st steel satin	82
150600	PMR 900x900 shower tray depth 30mm 304 stainless steel satin	63/93	183020	Surgical scrub trough low upstand L.2100 304 st steel satin	82
160130	BOB TC wall mtd basin no tap hole 304 st steel satin finish	66	183100	Surgical scrub L.2100 3 tap holes Ø22 304 st steel satin	82
160250	PMR XS TC wall mtd basin no tap hole 304 st steel satin finish	67	183200	Surgical scrub L.2100 6 tap holes Ø22 c-c150 304 st st satin	82
160300	Combi KOMPACT basin WC wall mtd right 304 st steel satin	75	184310	SXS hand washbasin electronic complete 304 satin st steel	89
160310	S21 S TC wall mtd WC horizontal inlet 304 st steel satin	70	18431015	WRAS SXS hand washbasin elect. complete 304 st steel	89
160330	COMMISSARIAT SD antivandal rec washbasin st steel satin	68	184320	SXS hand washbasin electronic complete with upstand 304 satin st steel	89
160340	TEK TC wall mtd basin with integrated tap 304 st steel satin	68	18432015	WRAS SXS hand washbasin elect. complete with upstand 304 st steel	89
160360	DUO S TC R wall mtd basin no tap hole 304 st steel satin	67	185000	HYGIENE surgical scrub high upstand L.700 304 st steel satin	81
160370	DUO S TC L wall mtd basin no tap hole 304 st steel satin	67	185020	HYGIENE surgical scrub low upstand L.700 304 st steel satin	81
160400	Combi KOMPACT basin WC wall mtd left 304 st steel satin	75	18502015	HYGIENE surgical scrub low upstand L.800 304 st steel satin	81
160500	Combi KOMPACT basin WC wall mtd centre 304 st steel satin	75	185100	HYGIENE surgical scrub L700 1 taphole Ø22 304 st steel satin	81
160550	WC S21 P TC free standing inline supply 304 st steel satin	70	185200	HYGIENE surg scrub L700 2 tapholes Ø22 c-c150 304 st st sat	81
160600	Combi KOMPACT basin WC floor std right 304 st steel satin	75	186000	HYGIENE surgical scrub high upstand L.1400 304 st st satin	81

References prefixed by * are available while stocks last. References are listed in ascending alphanumeric order.

DELABIE / Reference index

REF.	DESCRIPTION	P.	REF.	DESCRIPTION	P.
186020	HYGIENE surgical scrub low upstand L.1400 304 st steel satin	81	453140	MINERALCAST wall mtd basin L1400 3 places Ø35 centre hole	35
18602015	HYGIENE surgical scrub low upstand L.1600 304 st steel satin	81	454001A	MINERALCAST mounting bracket H525	35
186100	HYGIENE surgical scrub L1400 2 tap holes Ø22 304 st st satin	81	454010	MINERALCAST mounting bracket H675	35
186200	HYGIENE surg. scrub L.1400 4 tap holes Ø22 c-c150 304 st st	81	454120	MINERALCAST wall mtd basin L1200 2 places no tap hole	35
187000	HYGIENE surgical scrub high upstand L2100 304 st steel satin	81	454122	MINERALCAST wall mtd basin L1200 2 places Ø35 centre hole	35
187020	HYGIENE surgical scrub low upstand L.2100 304 st steel satin	81	454180	MINERALCAST wall mtd basin L1800 3 places no tap hole	35
18702015	HYGIENE surgical scrub low upstand L.2400 304 st steel satin	81	454182	MINERALCAST wall mtd basin L1800 3 places Ø35 centre hole	35
187100	HYGIENE surgical scrub L2100 3 tap holes Ø22 304 st st satin	81	6110	HYGIÉNA waste with concave grid for basins, stainless steel	5
187200	HYGIENE surg. scrub L.2100 6 tap holes Ø22 c-c150 304 st st	81	6110BK	HYGIÉNA waste matte black with concave grid for st st basin	5
188000	Satin finish 304 st st hygiene hand washbasin w/ high upstand	83	757118	Neck tube F1/2" for DELABIE DELTACERAM urinal	-
188100	Satin finish 304 st st hygiene hand washbasin w/ 1 taphole Ø22	83	757135	Neck tube F1/2" TEMPOSTOP TEMPOSOF 2 for FINO urinal	51
188200	Satin finish 304 st st hyg hand washbasin 2 tapholes Ø22 c150	83	757160	Neck tube F1/2" for DELABIE DELTA urinal before 04/2019	-
188300	Satin finish 304 st st hyg hand washbasin 2 tapholes Ø22 & Ø30	83	757162	Neck tube F1/2" for DELABIE DELTA urinal after 04/2019	53
374001	Hypereco liquid soap dispenser 0.9L white ABS	89	827032	Inlet socket union for squat WC Ø28/32	71
447100	TEMPOMATIC basin tap M3/8" 230/12V for panel 1-12mm no spout	68			

References prefixed by * are available while stocks last. References are listed in ascending alphanumerical order.

The general terms and conditions are valid for all customers.

ORDERS AND QUOTATIONS:

These will be processed in order of receipt. We do not accept open orders or orders for call-off. All orders sent imply acceptance of our general terms and conditions of sale and customers waive any claims that may arise from clauses in their own documentation which may differ.

The customer agrees to these terms from the moment that we receive the order, which cannot be cancelled. Orders are accepted without obligation to deliver the order in full in one delivery.

Our commercial representatives are not authorised to agree additional terms verbally, or to provide verbal guarantees beyond those provided in the written contract. In the event of default or delayed payment, the Company will be entitled to suspend deliveries or cancel existing orders without any claim for damages from the customer. In the event of a change in circumstances of the buyer, we reserve the right to cancel existing orders or to demand payment guarantees.

Our quotes do not amount to specifications; specifiers and professional installers are solely responsible for the choice of products according to their intended use, current regulations and recommended guidelines.

PRICE:

Deliveries are invoiced according to the conditions in place at the date of despatch. Prices are given without guarantee and they may be changed without notice subject to fluctuations in costs, VAT or other taxes, according to the prevailing economic conditions.

Price increases will be announced one month prior to their application, and they apply to quotes and orders in hand.

PAYMENTS:

Terms of payments are confirmed when an account is opened, and are dependent on the terms of our credit insurance, and according to each country.

We do not give discount for early payment.

In accordance with Article L441-6 of the Commercial Code, any delay in payment will give rise to the following from the first day of delay, regardless of their status with the supplier:

- An interest rate for delayed payment will be applied, equal to the European Central Bank refinancing rate plus 10% (French Law of Modernization of the Economy - LME - No. 2008-776 of 4th August 2008);
- A one-off payment of 40 Euros will apply to cover expenses (European Directive 2011/7 of 16th February 2011, Law 2012-387 of 22nd March 2012, and Decree 2012-1115 of 2nd October, 2012);
- When the recovery costs exceed the amount of the one-off payment, additional compensation will apply where justified.

In the case of late payment, a one-off payment may be required, replacing existing conditions. We will not accept any set off, only our assets have a legal value.

DELIVERY TIMES:

Despatch dates are indicative only and we shall not be liable for any delay or failure in carrying out our obligations where the delay or failure to deliver is caused by risks of manufacturing or where the cause is beyond our control. Delivery delay will not give rise to compensation payment or goods rejection.

SHIPPING:

Orders are sent to our distributors. We do not deliver to site. Charges and risks incurred from the transfer of merchandise depend on the Incoterm used for the commercial transaction. The carrier is solely responsible for their delivery, and in the event of delay, missing items, damage or other dispute, the customer must indicate this via the delivery driver's paperwork (either electronically or in hard copy) AND follow up with written notification sent by recorded delivery within 24 hours. A copy of this letter must be addressed to us.

CLAIMS:

No claim will be allowed where the delay in reporting exceeds 8 days following receipt of the goods.

The whole of the delivery cannot be rejected because of partial damages and shortages.

PROPERTY IN GOODS:

Notwithstanding any agreed terms of sale, the goods shall remain the property of the seller until payment is made in full. The failure to meet a payment deadline may result in the reclamation of these goods.

The buyer assumes the risks of loss or damage, regardless of the means of delivery, as described in 'DELIVERY TIMES' and 'SHIPPING' above, as well as liability for the damage they might cause.

WARRANTY AND RESPONSIBILITY:

Our finished products are warranted against any manufacturing defect for a period of 10 years, including electronic controls, excluding other electrical accessories (e.g. hand dryers, etc.) which have a 3-year warranty from the invoice date. This does not apply to products with an expiry date. Spare parts have a one-year warranty.

This warranty is limited to replacement or repair of defective components as determined by our workshops in France but excludes the costs of spoilage, handling and carriage or compensation whatever they are. We are not responsible for handling charges and the cost of returning products to our workshops.

Disasters or major water damage as a result of manufacturing defects are covered by our product and/or public liability insurance.

Our warranty and responsibility does not include the following:

- installation that does not comply with the technical specification or current recommended guidelines;
- worn parts;
- non-compliance with installation, user and maintenance guides;
- other factors independent of our products' quality, for example: detergents or abrasive cleaning products, the action of hard water, foreign bodies (e.g. gravel, sand, iron filings, scale, etc.), chemical and electrolytic phenomenon;
- lack of supervision, poor storage or poor maintenance;
- product modifications or actions by the customer, or a third party, without our authorisation using non-DELABIE components and/or consumable items.
- products past their expiry date.

The water-tightness of connections, joints and the product housing is the responsibility of the professional responsible for installation, and must be guaranteed by them. Warranty excludes joints, valves, washers and rubber seals. However they would be supplied if the warranty application requires them. Any finishes other than chrome or nickel are also excluded from the warranty. In the event that the product has been discontinued or manufacturing methods have changed and replacements are not available, similar alternative products will be offered. Replacement under warranty will not extend the duration of the original warranty.

Legal warranty of latent defects applies in any event.

SPARE PARTS:

Spare parts and mechanisms that are essential to ensure the correct operation of our products will be held in stock for the duration of the guarantee. They are listed at the back of our catalogues.

RETURNS:

Goods may not be returned to us for credit without our prior written approval obtained by the buyer from the Company and they are received in a good state (determined by our goods inwards department). All transportation costs for returned goods must be paid by the buyer. Goods must be returned to our factory* with good protective packaging. Deliveries less than a month old will be refunded at the invoiced price. For deliveries older than one month, a deduction will be made for checking, handling and administration costs. A repair and re-stocking fee will apply where appropriate.

Product returns are not permitted in the following circumstances: discontinued products, specially manufactured products, technical or aesthetic evolution of the product since the date of purchase, scratched or damaged products, products purchased more than one year previously, products with an expiry date. If sent to DELABIE, those products outside the scope of returns will be immediately destroyed/recycled, and will not be returned to the customer.

The schedule of standard deductions is as follows:

- return less than 1 month: refund at invoiced price
- return between 1 and 3 months: deduction of 15%
- return between 3 months and 1 year: deduction of 30%
- return after 1 year: no refund possible.
- return without prior agreement: additional deduction of 5% of the value of the goods with a minimum value of €50 excl. VAT.

* DELABIE S.A.S.
18, rue du Maréchal Foch
80130 Friville Escarbotin – FRANCE

CLEANING - MAINTENANCE:

Clean with slightly soapy water only, using a soft cloth or sponge, rinse and dry thoroughly. Do not use abrasive or chlorine-based products (with a hydrochloric acid base), or dyes.

PHOTOGRAPHS AND DRAWINGS:

All photos, drawings or illustrations are for illustrative purposes only, without contractual obligation, and may be subject to change without notice.

We reserve the right to modify designs and dimensions without notice and without recourse. This applies to all references, dimensions, information contained in various documents, catalogues, installation guides, price lists and websites, which can be modified or discontinued at any time without notice.

INTELLECTUAL PROPERTY AND USE OF CONTENT:

The content (including but not limited to the information, text, graphics, data, images, photos, visuals, videos and soundtrack, and the format of all these elements and our catalogues, websites, etc.) are protected under copyright and/or other intellectual property. The contents are the sole property of their respective editors. Any copying, reproduction, use, adaptation, alteration, modification, translation, dissemination, complete or partial, of content, whether they belong to DELABIE or a third party which has granted the rights to DELABIE, by any means whatsoever, is illegal except for the limiting rights that are granted below, and/or private copying for the exclusive use of the copier. The content presented in our communication and business tools may be subject to change without notice and are provided without warranty of any kind, express or implied, and cannot give rise to any right to compensation. Protected content may be specifically identified by the following copyright notices: © or "All rights reserved".

The names and logos appearing in our catalogues and websites are registered trademarks. These distinctive marks are the exclusive property of DELABIE or third parties who have granted the rights to DELABIE. Any use, complete or partial reproduction, or imitation of these marks is prohibited without prior express consent of DELABIE.

Alteration and modification of the contents or their use for any purpose other than that authorised, constitute an infringement of DELABIE's, or a third party's, property rights. With the following limitations, DELABIE grants you the right to download and distribute the content:

- where the download function exists
- for non-commercial purposes
- in good faith
- for maintaining the proprietary notices intact, and for the publication or posting of existing content online, if such information is stated. This right should in no way be interpreted as a trademark or copyright license for the aforementioned content.

PERSONAL DATA PROTECTION:

In line with the General Data Protection Regulation (GDPR), DELABIE is doing everything necessary to limit to a bare minimum the collection of personal data, and its conservation and ensure its protection.

DELABIE only uses this data for its own use for purposes of information and commercialisation of its products. It is not, under any circumstances, given to third parties.

The right of access, rectification, removal and opposition to the processing in addition to the limitation and transferability of your data is possible on request to our Data Protection Officer (DPO) at DELABIE via email (dpo@delabie.fr) or recorded delivery with a photocopy of a photo ID to the following address: DELABIE, 18 rue du Maréchal Foch, 80130 FRIVILLE, France.

To improve our services and for training purposes, calls to DELABIE may be recorded. These recordings will not be retained, and will be systematically deleted within a maximum period of 48 hours.

EXCLUSIVE TERRITORIES:

In most countries throughout the world, our company has entered into exclusive agreements with organisations to import and distribute our products. Within this framework, our clients cannot sell our products outside their national borders without an express prior agreement on our part.

JURISDICTION:

Acceptance of an order delivered from France settles the contract under the French law. All disputes arising from the present contract will be settled definitively by the Court located in the area of our domicile, even in the event of multiple defendants, regardless of the delivery location or stipulated payment. All clauses to the contrary will be considered null by the mere fact of having dealt with our company.

AVAILABLE CATALOGUES:

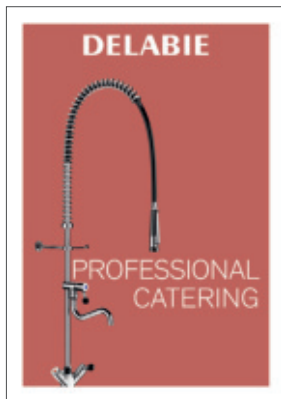
DOC 609INT: Water Controls for Public and Commercial Places

DOC 900INT: Water Controls for Healthcare Facilities and Retirement Homes

DOC 950INT: Accessibility and Independence - Hygienic Accessories for Public and Commercial Places

DOC 750INT: Stainless Steel Sanitary Ware

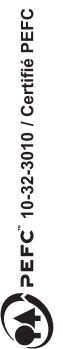
DOC 200INT: Water Controls for Professional Catering



DELABIE

18, rue du Maréchal Foch
80130 FRIVILLE - FRANCE

DELABIE S.A.S., share capital 1.000.000 € - RCS 615 680 089 Amiens



DOC 750INT - 05/2023